

PS750 Quick Start Guide

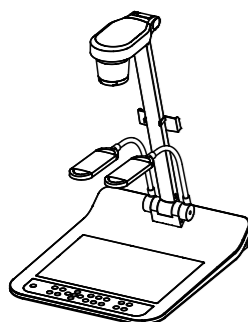
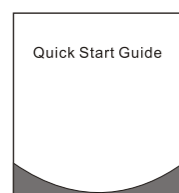
Lumens™

⚠ Important

* Please activate your warranty at www.lumens.com.tw/reg

* Please visit our website www.lumens.com.tw/goto.htm to download latest version of Software, Multilingual User Manual and Quick Start Guide.

1. Package Contents

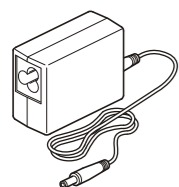
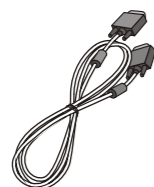
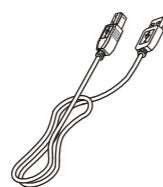
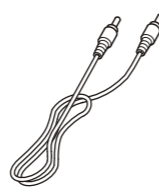
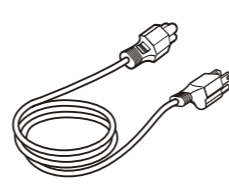
Main Unit

Quick Start Guide


* To download this manual in other languages, visit Lumens website

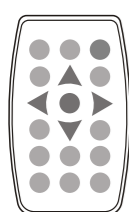
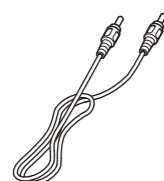
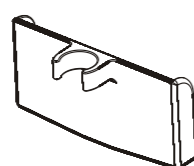
VESA Base Installation Guide

Download & safety instruction

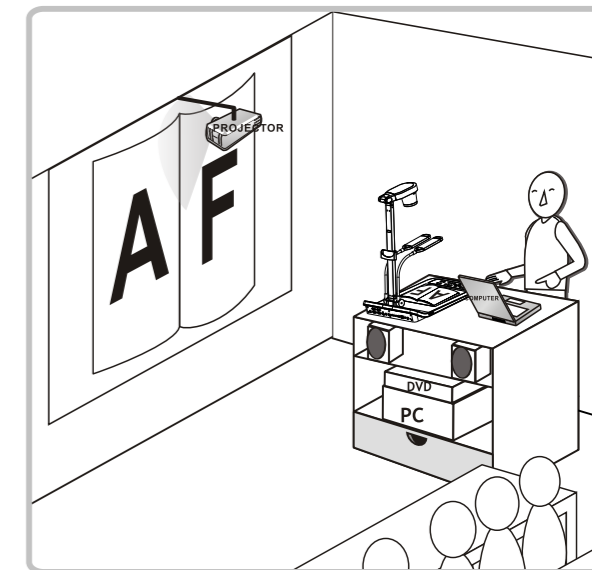
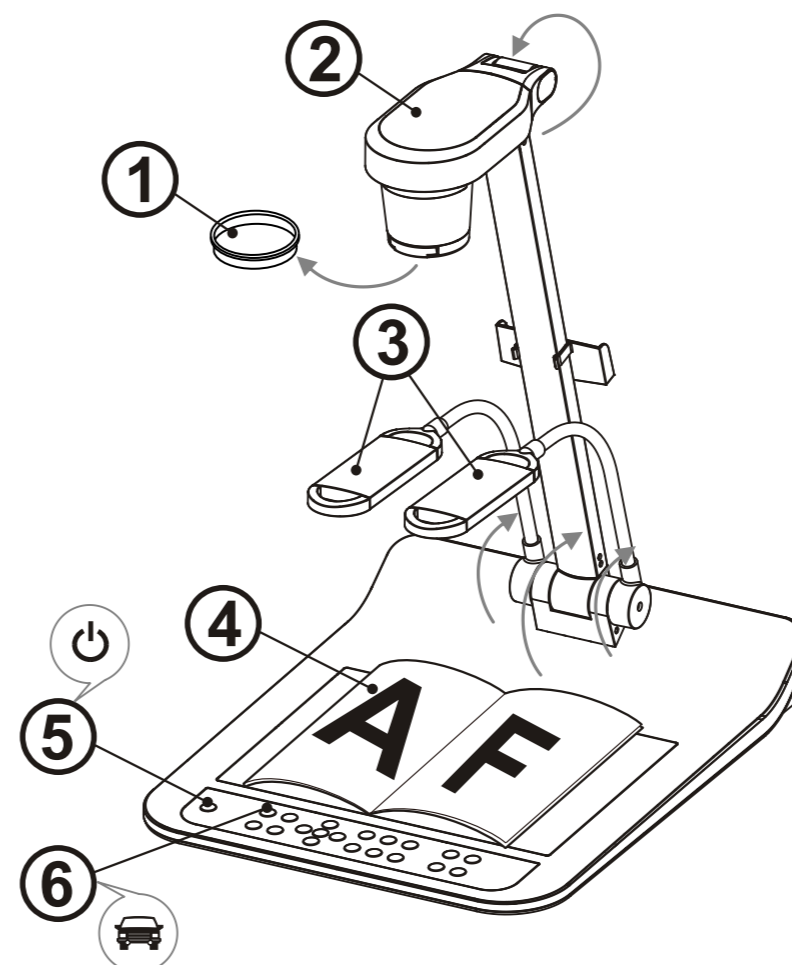
4-Steps Card

AC Adapter

VGA Cable

USB Cable

Audio Cable

Power Cord




* Appearance may vary in different countries

Remote control

C-Video Cable

Remote Control Holder


2. Getting Started

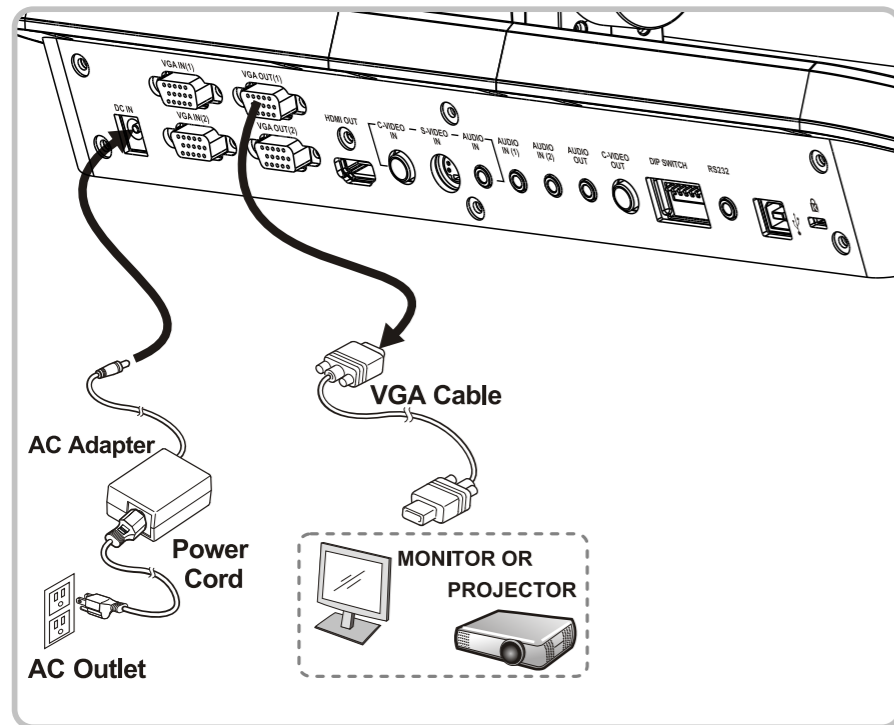


* The angle range of the camera / lamp arm / lamp is limited.
Do not turn it forcefully when it reaches the maximal angle.

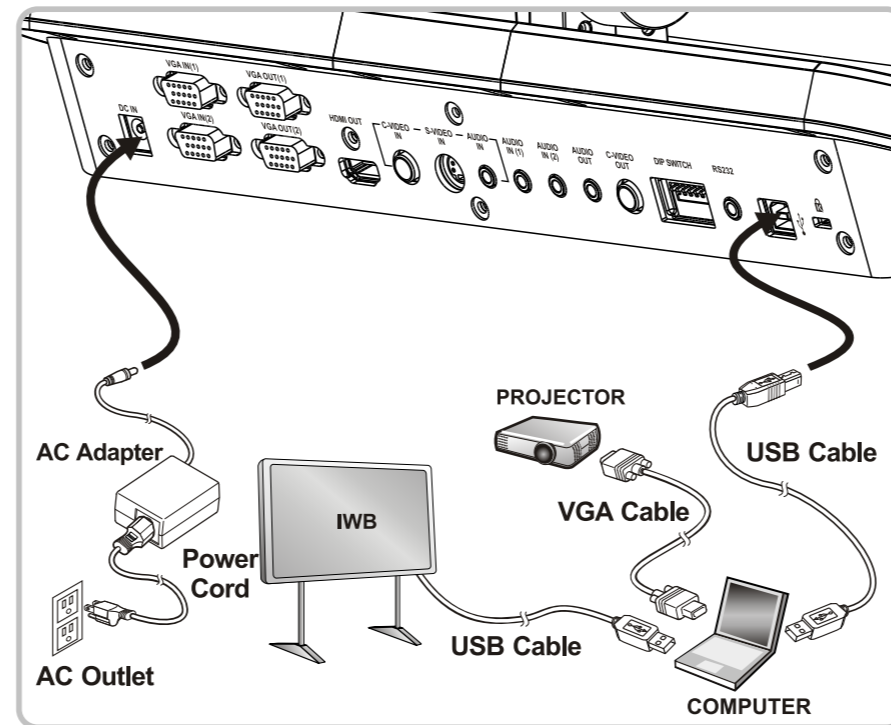
- ① Remove the lens cap.
- ② Pull up the camera and the camera arm. The camera should aim at the center of the presenter.
- ③ Pull up the lamp arm and adjust it to appropriate position.
- ④ Place an object to be displayed under the camera.
- ⑤ Turn the power on. 
- ⑥ Press the [AUTO TUNE]  button to optimize the image. You are ready to teach / present.

3. Installation & Connection

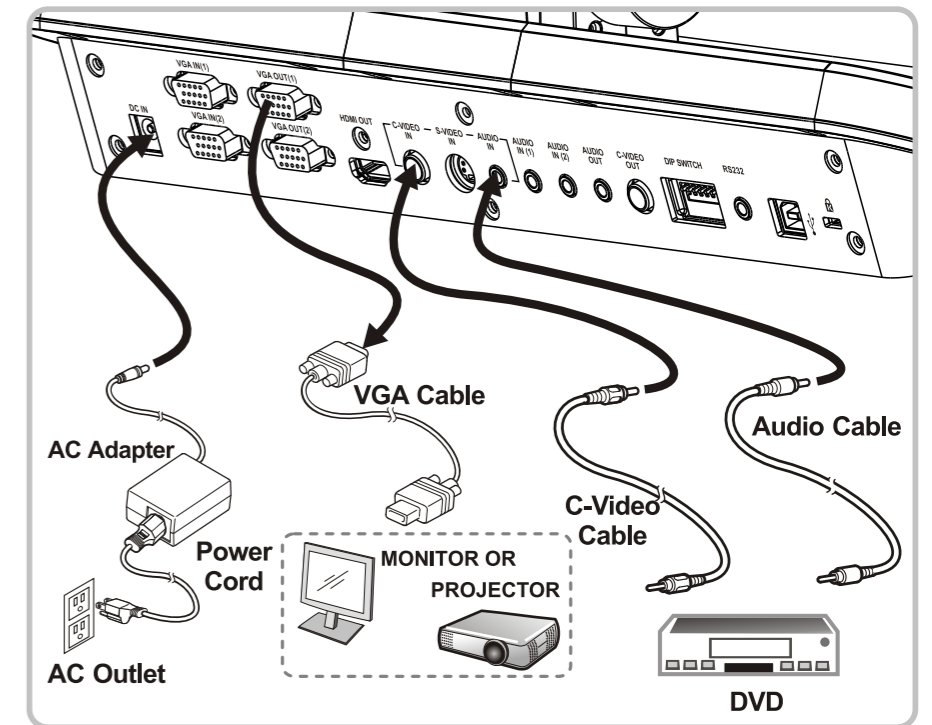
▼ Connect to a Projector or Monitor



▼ Connect to a Computer and Use Lumens' Software or Connect to an Interactive Whiteboard (IWB).

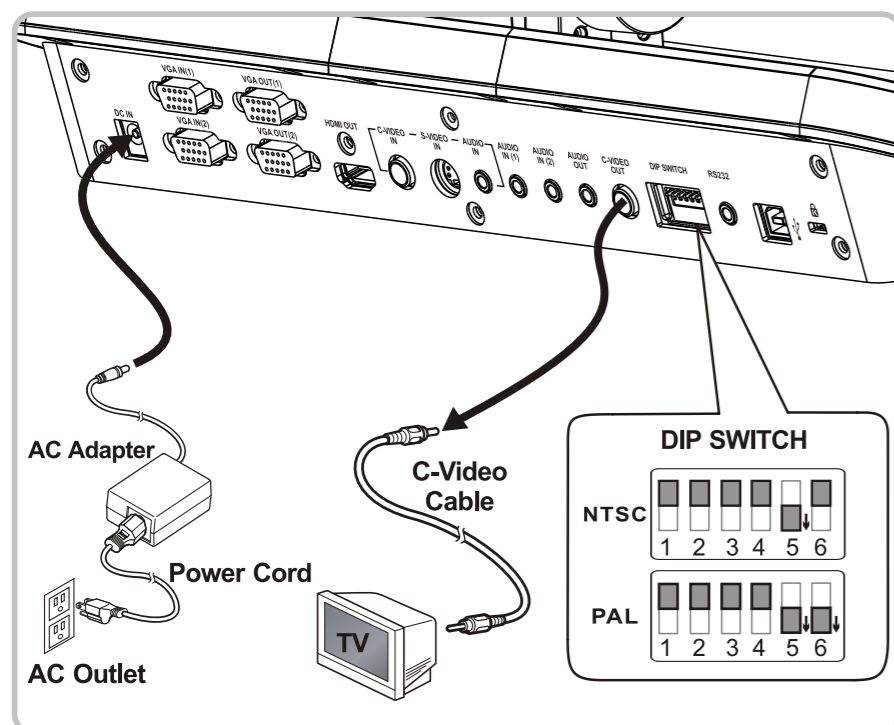


▼ Connect to DVD (C-Video)

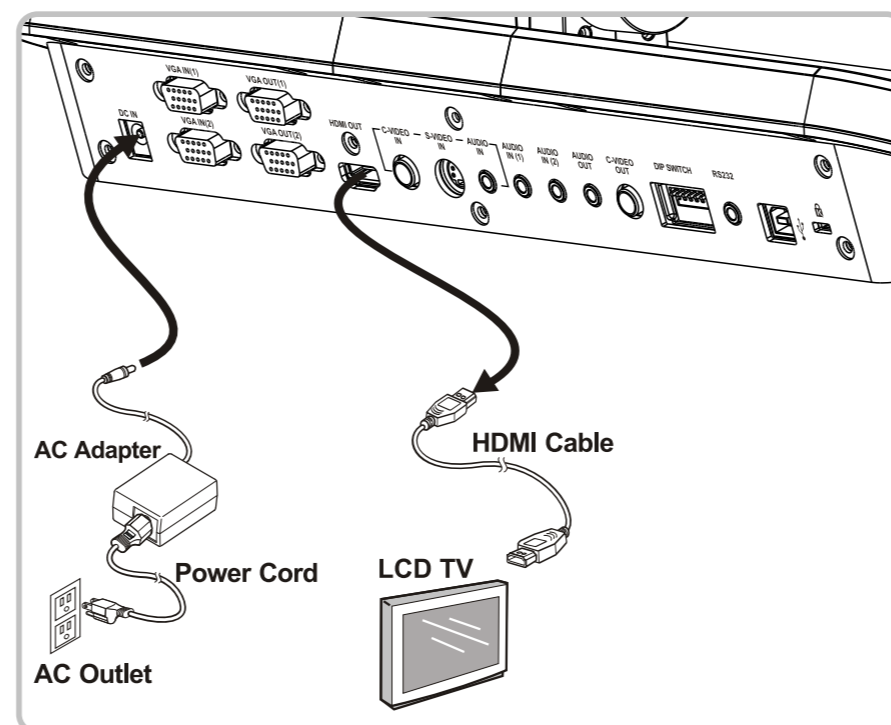


* Driver and software can be downloaded from Lumens website.

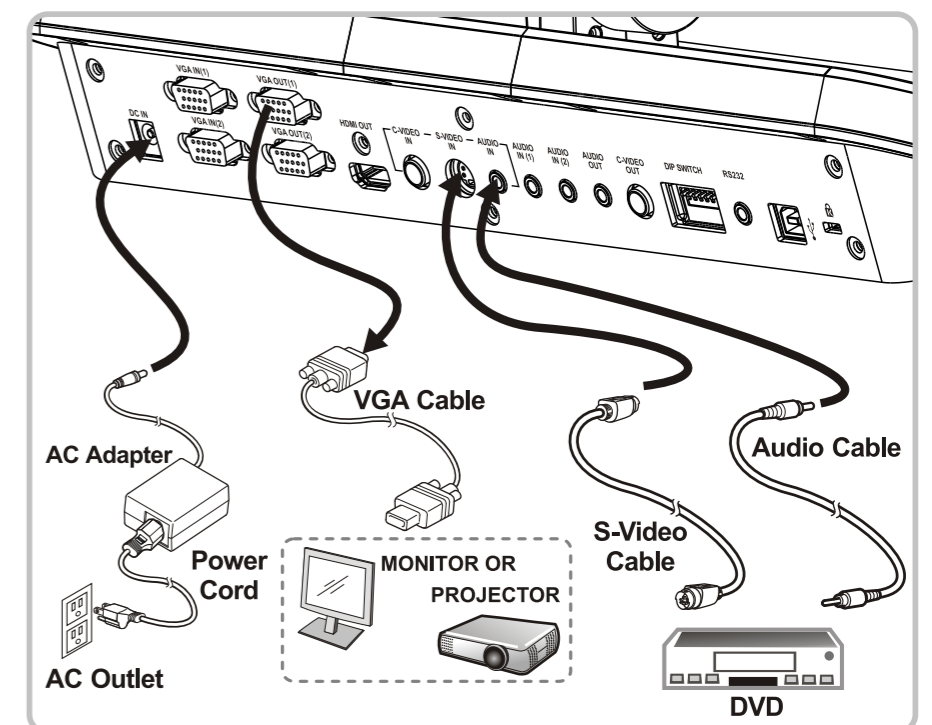
▼ Connect to a TV



▼ Connect to an HDTV



▼ Connect to DVD (S-Video)



* NTSC: USA, CANADA, MEXICO, PANAMA, CHILE, JAPAN, TAIWAN, KOREA AND PHILIPPINES.

* PAL: Country / region not listed above.

* After the unit is re-started, new DIP switch configuration is effective.
Once C-Video is on, VGA is not supported.