

DC166 Quick Start Guide

Lumens™

⚠ Important

* Please activate your warranty at www.lumens.com.tw/reg

* Please visit our website www.lumens.com.tw/goto.htm to download latest version of Software, Multilingual User Manual and Quick Start Guide.

1. Package Contents

Main Unit



Quick Start Guide



* To download this manual in other languages, visit Lumens website

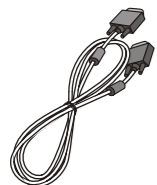
VESA Base Installation Guide



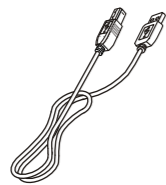
Remote control



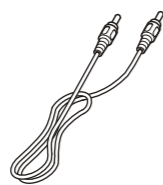
VGA Cable



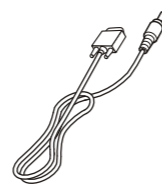
USB Cable



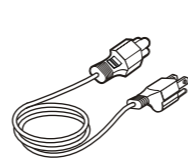
C-Video Cable



RS232 Adapter (Optional)

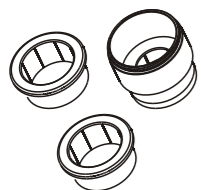


Power Cord



* Appearance may vary in different countries

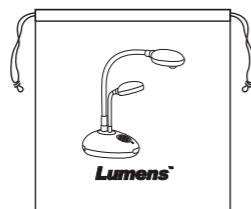
Microscope Adapter



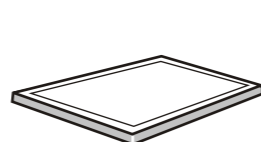
Accessory Pouch



Presenter Protector Bag



Backlight (Optional)



Padded Carry Bag (Optional)

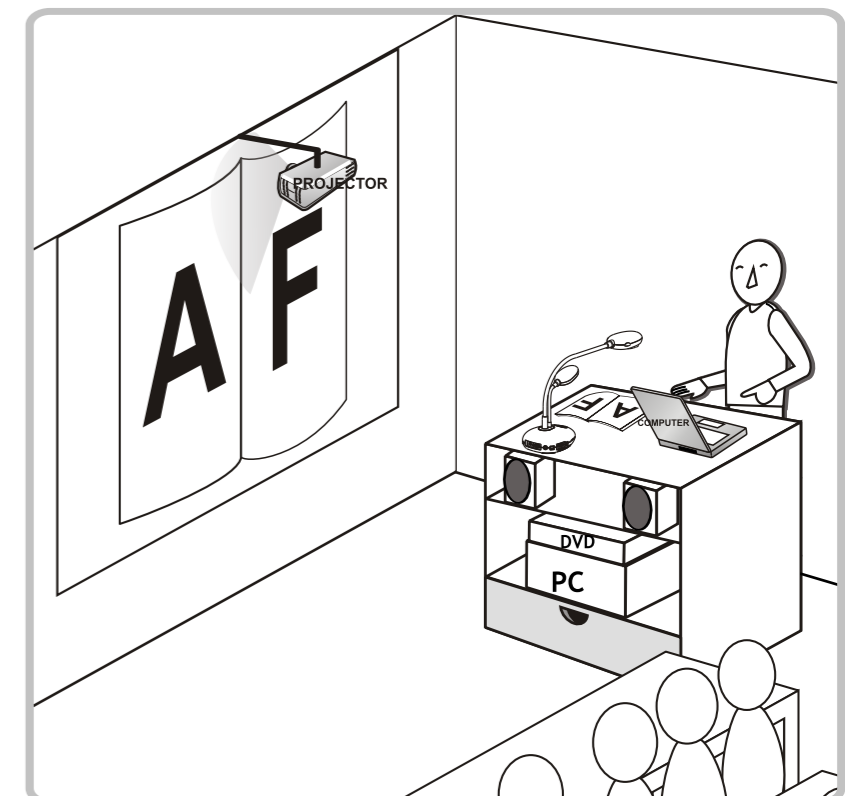


2. Getting Started



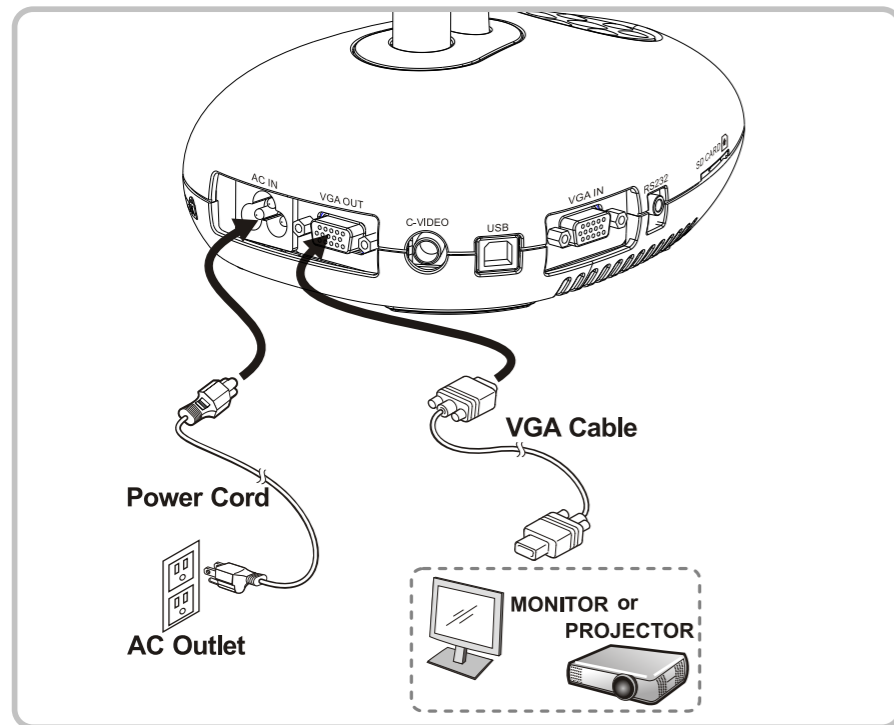
- ① Place an object to be displayed under the camera.
- ② Turn the power on.
- ③ Adjust the gooseneck and lens to appropriate position.
- ④ Press the [AUTO TUNE] button to optimize the image. You are ready to teach / present.

* Each time the camera head is moved, press the [FOCUS] button to refocus the lens.

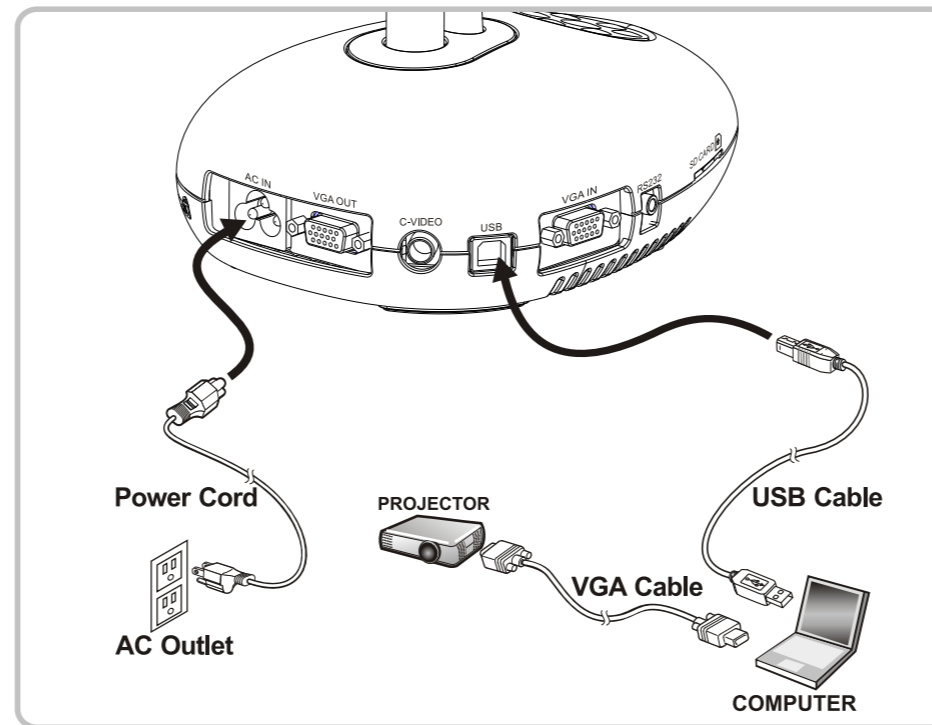


3. Installation & Connection

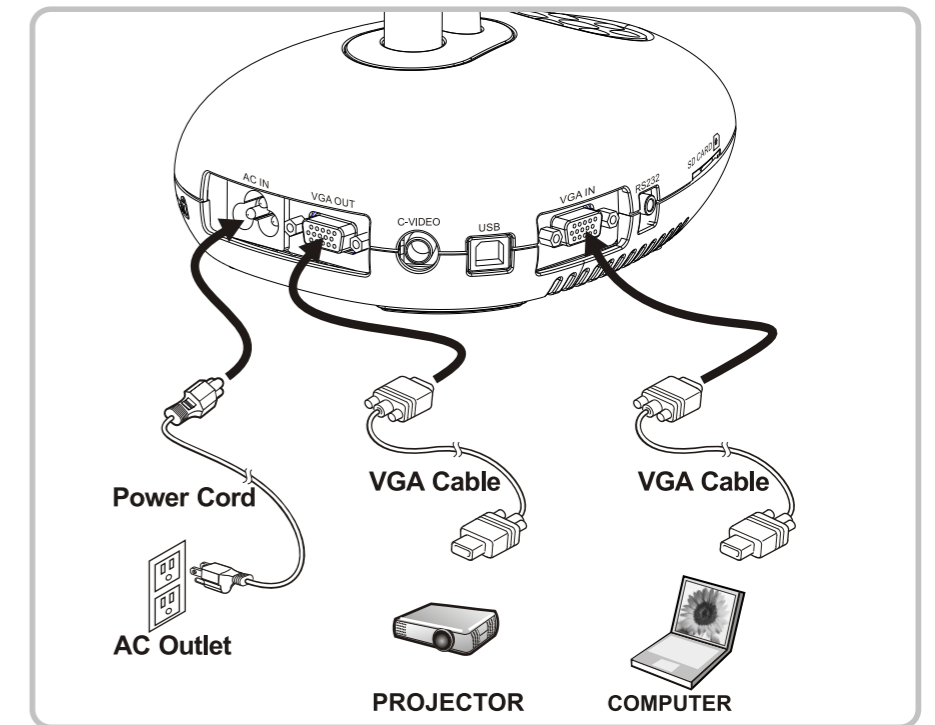
▼ Connect to a Projector or Monitor



▼ Connect to a Computer and Use Lumens' Software.



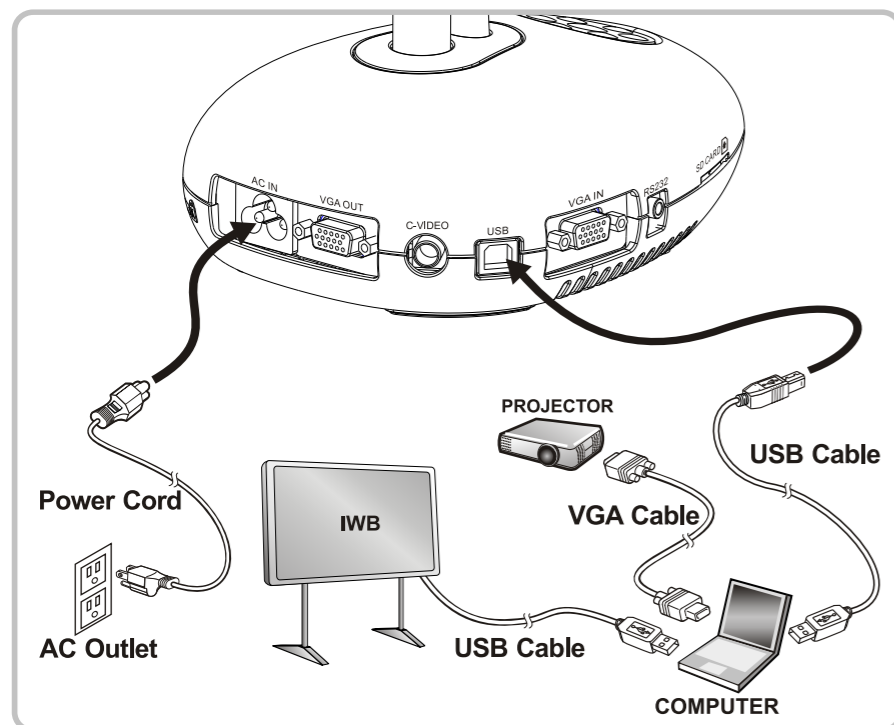
▼ Connect a Projector, Computer simultaneously



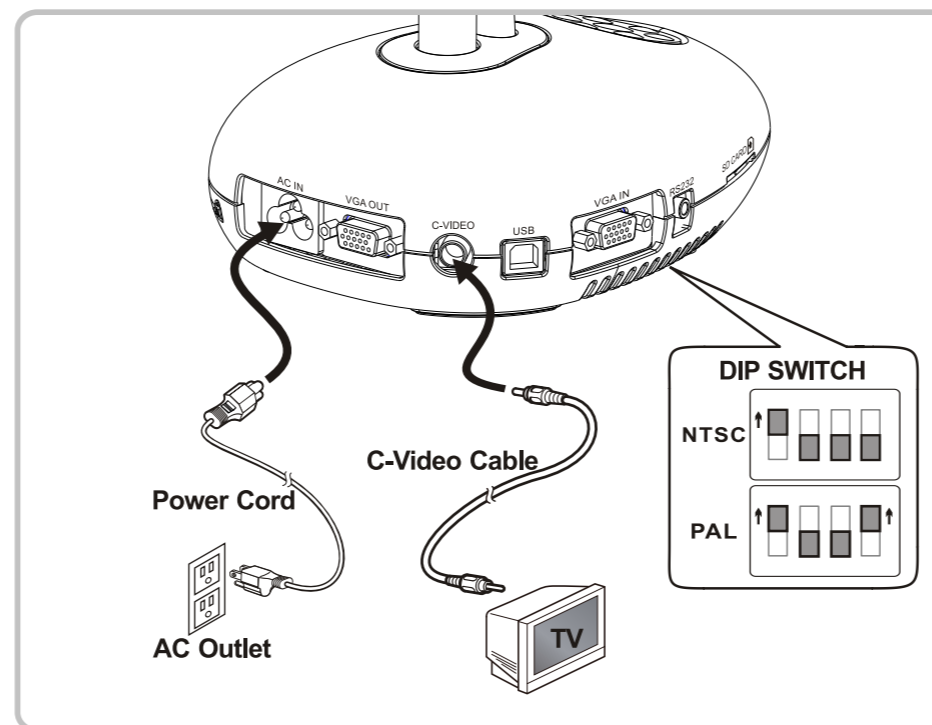
* Driver and software can be downloaded from Lumens website.

* Press [SOURCE] to change image source from Computer.

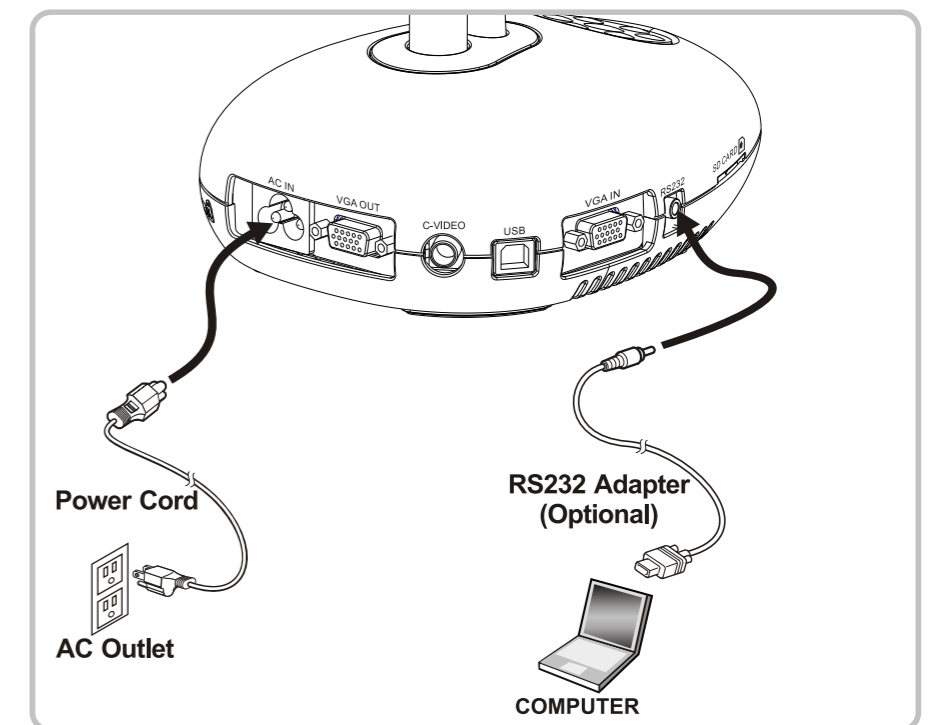
▼ Connect to an Interactive Whiteboard (IWB)



▼ Connect to a TV



▼ Connect to an Computer via RS232



* NTSC: USA, CANADA, MEXICO, PANAMA, CHILE, JAPAN, TAIWAN, KOREA AND PHILIPPINES.

* PAL: Country / region not listed above.

* After the unit is re-started, new DIP switch configuration is effective.