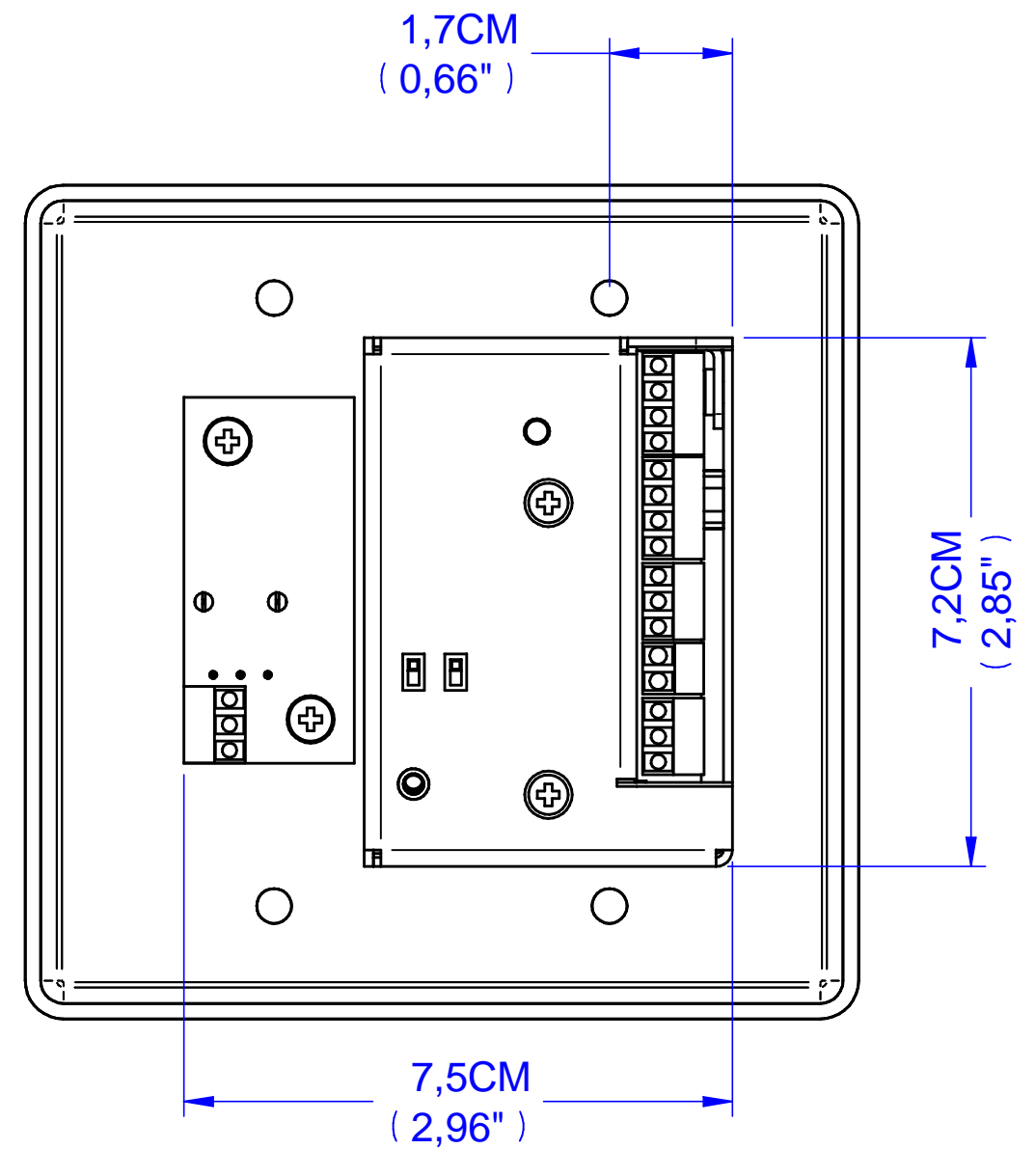
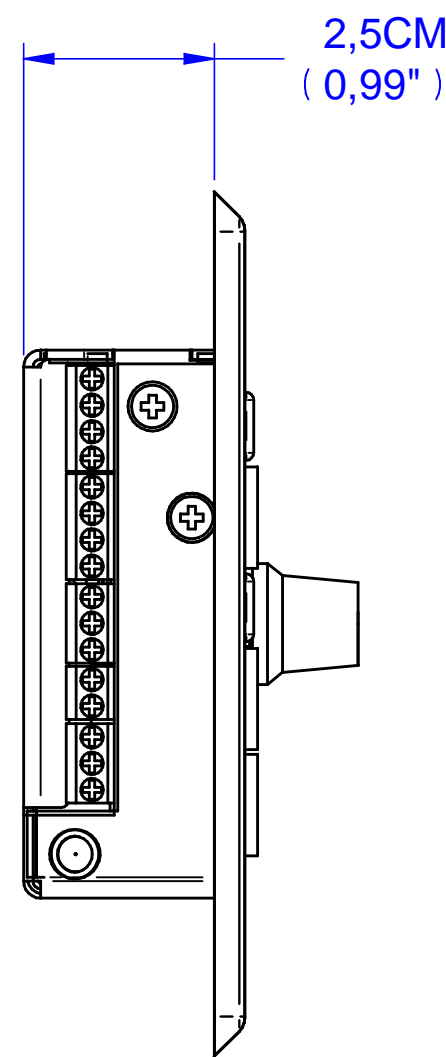
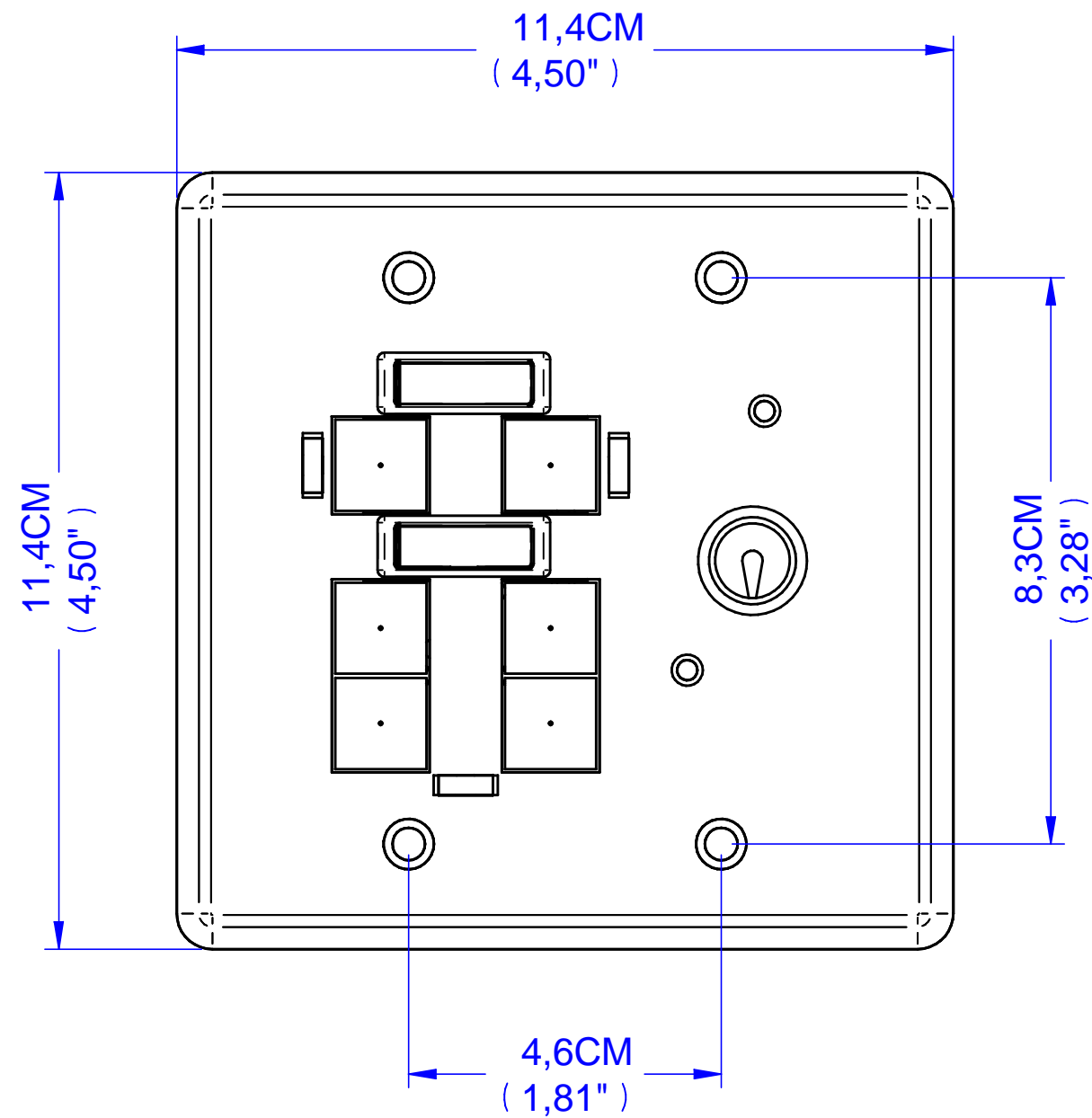



REVISION HISTORY

REV	DESCRIPTION	ECO NO.	DATE	APPROVED
1	PRELIMINARY		DD . MM . YY	



	NAME	DATE	 <b>KRAMER ELECTRONICS LTD.</b> JERUSALEM, ISRAEL
DRAWN	ihassidim	10/Feb/11	
CHECKED			
ENG APPR			
MGR APPR			PART: <b>RC-63A NEW DESING-OUTLINE</b>
UNLESS OTHERWISE SPECIFIED DIMENSIONS ARE IN MILLIMETERS ANGLES ±0.5° LINEAR ±0.2 HOLES +0.2			SIZE A3
			KRAMER P.N.: <b>RC-63A NEW DESING-OUTLINE</b>
			File name: RC-63A NEW DESING-OUTLINE.dft
			Project: RC-63A
			Sheet 1 of 1



REV 1