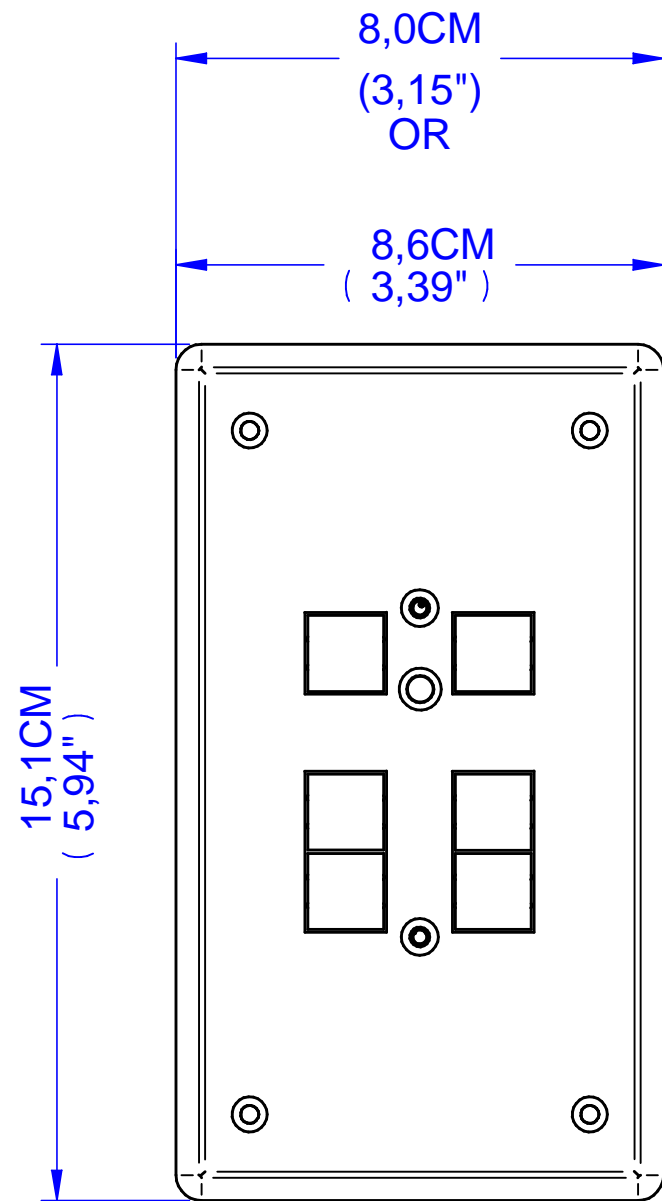
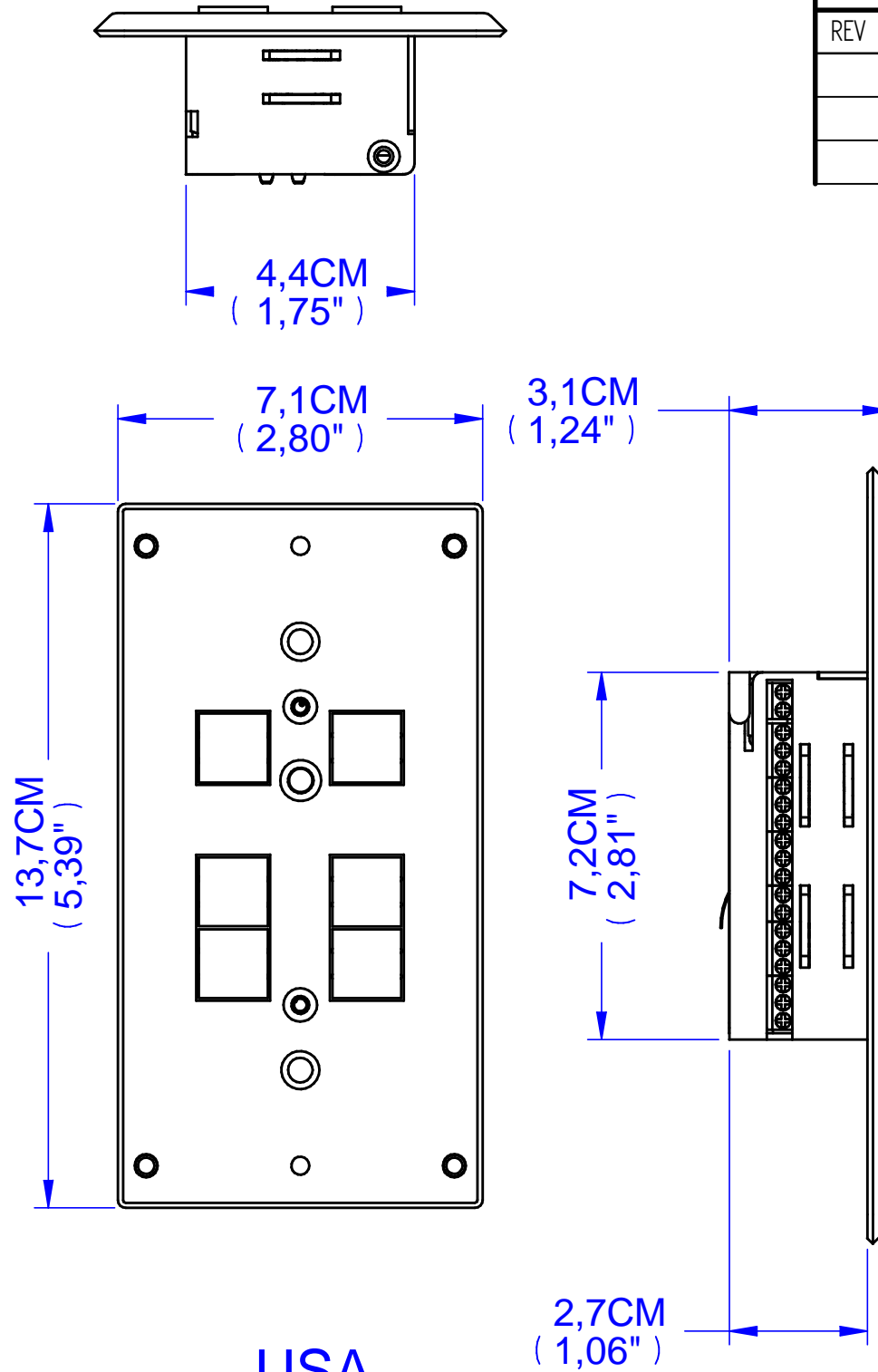


REVISION HISTORY

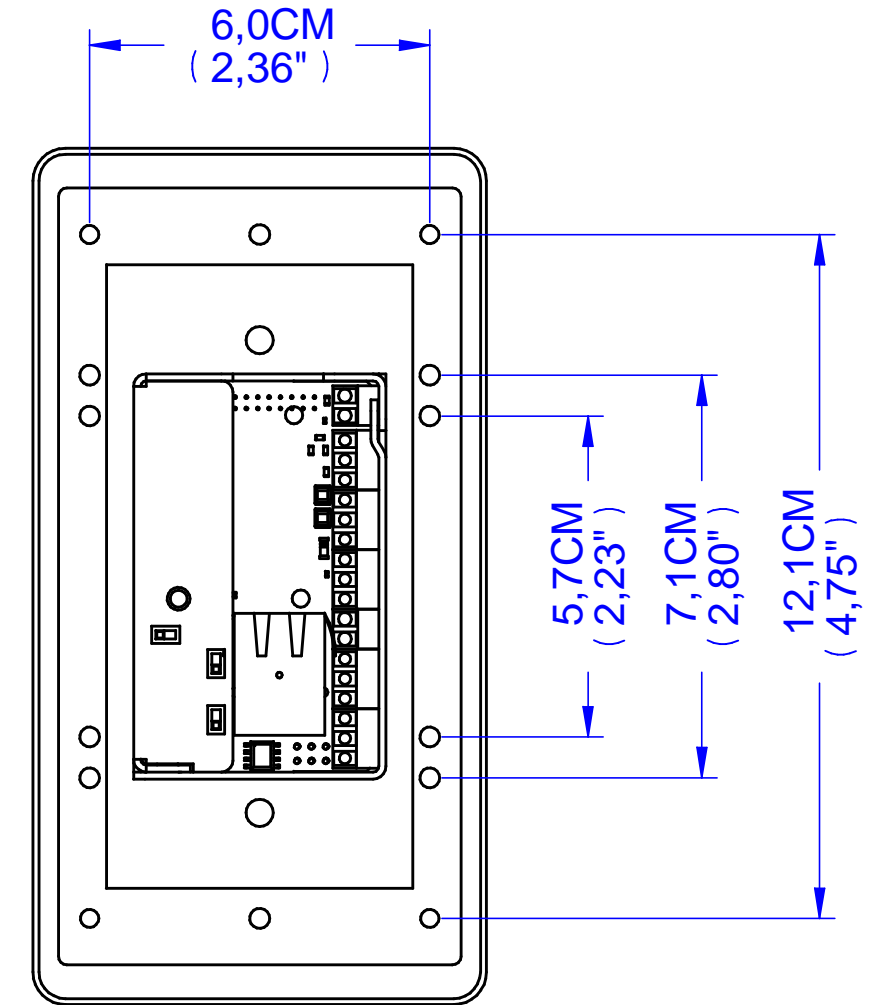
REV	DESCRIPTION	ECO NO.	DATE	APPROVED


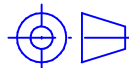


EUROPE



USA



	NAME	DATE	 KRAMER ELECTRONICS LTD. JERUSALEM, ISRAEL
DRAWN	ihassidim	04/May/11	
CHECKED			
ENG APPR			
MGR APPR			PART: RC-6IR-OUTLINE
UNLESS OTHERWISE SPECIFIED DIMENSIONS ARE IN MILLIMETERS ANGLES ±0.5° LINEAR ±0.2 HOLES +0.2			SIZE A3 KRAMER P.N.: XXXX-000XXX File name: RC-6-IR-OUTLINE.dft Project: RC-6IR
			REV 1 Sheet 1 of 1