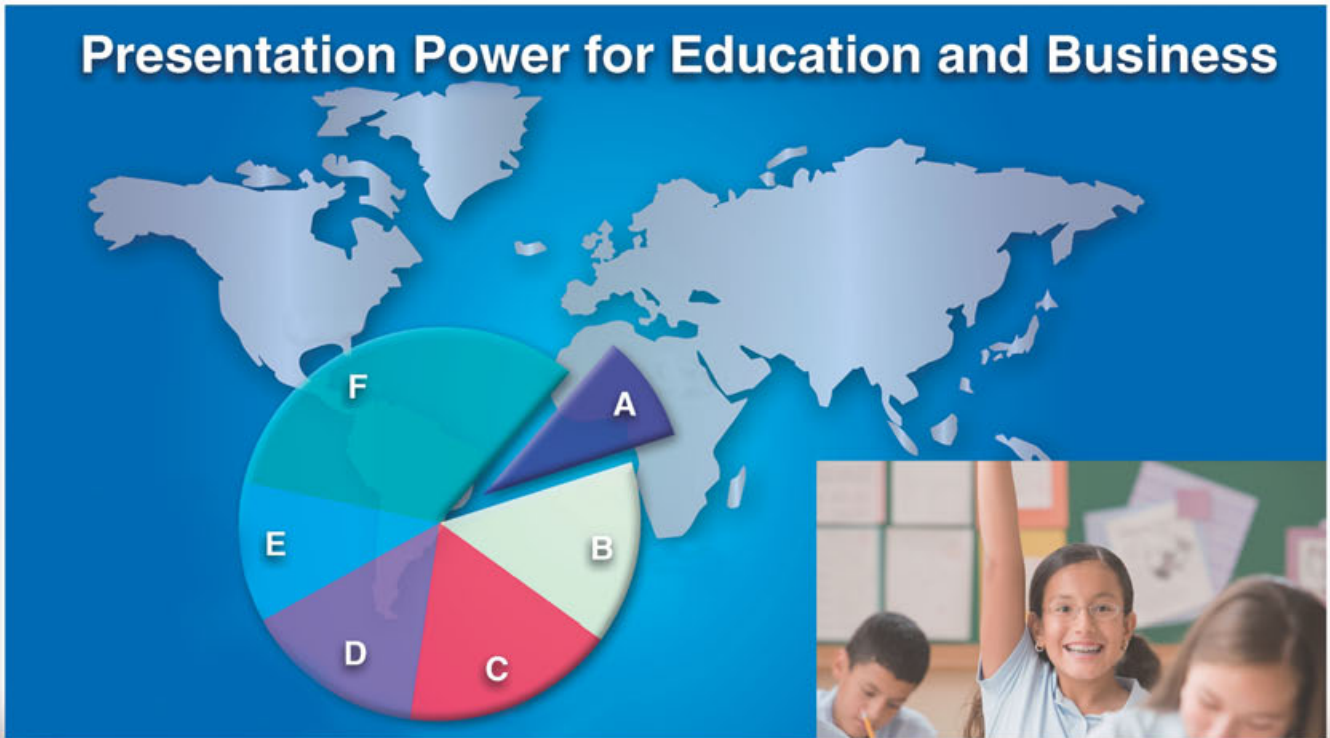


Think GAIA
For Life and the Earth

SANYO

Ultra Portable Multimedia Projector

PLC-WXU700



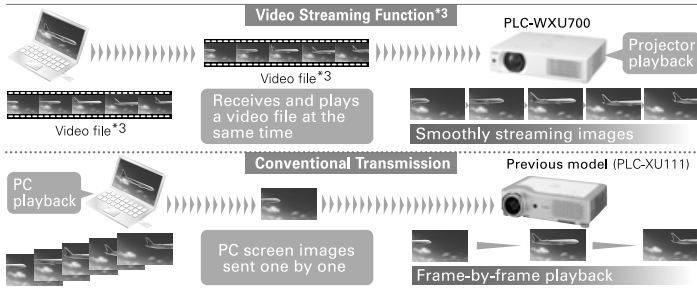
**IEEE 802.11n High-Speed
Wireless LAN and Video
Streaming Function**



The Industry's First*1 Projector with IEEE 802.11n*2 High-Speed Wireless LAN and Video Streaming Function*3*4

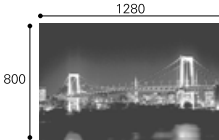
The industry's first*1 projector with an IEEE 802.11n*2 high-speed wireless LAN function offers faster wireless transmission than ever before. And the video streaming function*3*4 allows it to play a video file as it is being received. Together, these functions produce smoothly streaming motion images.

*1 Industry's first for a projector, as of the scheduled release date of May 12, 2009.
*2 In compliance with IEEE 802.11n draft 2.0.
*3 Supports MPEG-1, MPEG-2, MPEG-4 and WMV files (note that some files may be incompatible).
*4 Supports a wireless connection, a wired connection and the USB Memory Viewer.



True WXGA Resolution (1280 x 800)

Compatible with wide screen laptops for a true wide screen WXGA (16:10) presentation.



Compact, Bright Ultra Portable Projector

This compact projector unit is no larger than an A4 file size. With its high-intensity UHP lamp, it renders images with 3,800 lumens, the highest level* of brightness offered by any wide-screen ultra portable projector. This makes it ideal for use in brightly lit locations.

*For a WXGA projector weighting 4 kg or less as of May 12, 2009



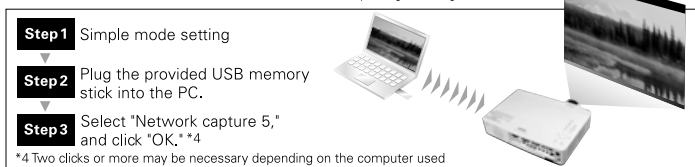
Windows Vista® Network Projector Function Supported

Windows® Embedded CE 6.0 is preinstalled in the projector to support the Network Projector function standard feature of Windows Vista®. This eliminates the need to install a special program or driver, and projects images from a Windows Vista® PC over a network, without having to make any complex settings.

"Simple Wireless Setting"*1*2 Via USB memory

Just plug the provided USB memory stick into a PC and click to automatically set-up your wireless LAN.*1*2 You can easily start projection without having to use a driver CD or make any complicated settings. Those models can be connected to several PCs via wireless connection, and each PC can be connected to up to five projectors. This function allows PCs and projectors to be flexibly laid out to match the scale of the presentation, without having to bother with cable lengths.*3

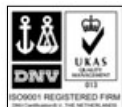
*1 Depending on the settings of the PC, the set-up may not be automatically completed.
*2 For systems with wireless network LAN (IEEE802.11b/g) capability
*3 Maximum of 30 m when there are no obstacles such as walls (depending on the signal environment).



USB Memory Viewer

When a USB memory stick is inserted into the projector, the Memory Viewer function*1 will project still or motion images*2 stored in USB memory to enable video file playback without having to use a PC.

*1 Supports a 4-G memory drive (when formatted in FAT32).
*2 Supports MPEG-1, MPEG-2, MPEG-4 and WMV files (note that some files may be incompatible).



All products manufactured by the Projector Division of SANYO's Digital System Company employ a quality management system that has undergone the inspection and registration process of the ISO 9001 international standard.

Easy Setup Function

PLC-WXU700 provides "Auto Setup Function" that corrects vertical shape distortion by searching for an input signal and detecting projector incline, reducing setup time. Furthermore, the "Screen Guidance Function" allows projector set up according to the displayed guidance. This function provides all an easy guide to projection.

Other Features

- HDMI (Ver.1.3b) terminal
- Power Off and Go
- Wide-Range 1.6x Zoom
- Picture in Picture* function
- Picture by Picture* function
- USB Memory Viewer
- PJ Link compatibility
- 17-Language on-screen menu
- User logo (screen capture)
- No show
- Freeze
- Presentation timer

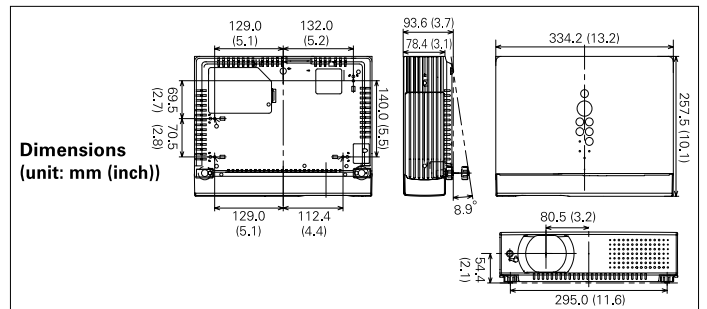
* Some video files cannot be played, depending on the combination of input signals.

Specifications

Model name	PLC-WXU700
Panel	0.74 inch TFT p-Si x 3 with Micro Lens
No. of pixels	3,072,000 (1280 x 800 dots x 3)
Projection lamp	275 W
Brightness (typical)*1	3800 lm (Lamp mode "High")
Contrast *1	500:1 (Lamp mode "AUTO" & "Dynamic mode")
Uniformity *1	85 % (corner to center)
Projection lens	F1.7 - 2.5, f=19.2 - 30.2 mm (0.8 - 1.2 inch)
Screen size	40" - 300"
Throw distance	1.0 m (wide) - 12.1 m (tele) (3.3 - 39.7 ft), 100" at 2.5 - 4.0 m (8.2 - 13.2 ft)
Zoom / Focus	1-1.6 Manual driven U:D=49 : 1
SD / HDTV signals	480i, 480p, 575i, 575p, 720p, 1035i, 1080i and 1080p (HDMI)
Color systems	PAL / SECAM / NTSC / NTSC4.43 / PAL-M/N
Video signal	Composite, S-Video, D-sub 15pin for Component
Computer compatibility	WUXGA/ WSXGA+/ WXGA+/ UXGA/ WXGA/ SXGA+/ SXGA/ XGA/ SVGA/ VGA
Terminal	RCA : Composite Video, Mini-DIN 4-pin : S-Video, HDMI for Digital signals, Dsub-15 for Input/ Component, D-sub15 for Input/ Monitor Out
Audio	RCA (L/R) for Video Input Mini-Jack (Stereo) x 2 for Computer Input Mini-Jack (Stereo) for Output (variable)
Communication terminal	D-sub 9 (RS-232C), USB type A, B, R/ C Jack, RJ45 (For LAN)
Presentation tool	Freeze / Digital Zoom / No Show / Page Up-Down / etc
Other features	Progressive, 3-2 & 2-2 pull down, LTI & CTI,*2 User Logo Security : PIN code lock, Key lock
Scanning frequency	H sync 15 - 100 kHz, V sync 50 - 100 Hz Dot clock 140 MHz
Sound output	1.0 W Mono
Voltage	100 V - 240 V AC (auto voltage)
Power consumption	100-120 V AC 364 W (High)/ 333 W (Normal)/ 292 W (Eco)/ 10.5 W (Standby: Eco) 200-240 V AC 345 W (High)/ 316 W (Normal)/ 278 W (Eco)/ 12.1 W (Standby: Eco)
Dimensions (W x H x D)	334.2 x 78.4 x 257.5 mm (13.2 x 3.1 x 10.1 inch) (not including protruding parts)
Weight	3.6 kg (7.9 lbs)
Included accessories	Quick reference guide, CD-ROM read me note, PIN code label, Computer cable (Dsub15-Dsub15), Easy wireless set up software (USB memory), Power cord (Detachable), Remote control, User's manual (CD-ROM), Soft carrying bag, Strap for lens cap, Lens cap, CD-ROM (Application software for Network), AAA Battery x 2

*Replacement Lamp Type No:POA-LMP111

*1 Measurement, measuring conditions, and method of notation all comply with ISO 21118 international standards. Product and company names are the trademarks or registered trademarks of their respective companies. *2 Luminance Transient Improvement (LTI) and Color Transient Improvement (CTI) sharpen the detail. * All product names and company names are trademarks or registered trademarks of their respective



Approximate throw distance/ picture size (unit: m (ft))

Screen Size 16 : 10 aspect ratio	WIDE		TELE
	W	H	W
60"	1.5 (4.9)	2.4 (7.9)	2.4 (7.9)
70"	1.8 (5.9)	2.8 (9.2)	2.8 (9.2)
80"	2.0 (6.6)	3.2 (10.5)	3.2 (10.5)
100"	2.5 (8.2)	4.0 (13.1)	4.0 (13.1)
150"	3.8 (12.5)	6.0 (19.7)	6.0 (19.7)
200"	5.1 (16.7)	8.1 (26.6)	8.1 (26.6)
250"	6.4 (21.0)	10.1 (33.1)	10.1 (33.1)
300"	7.7 (25.3)	12.1 (39.7)	12.1 (39.7)

Approximate throw distances shown above were calculated on lens design specifications. Please note that up to 5% deviation may result due to lens variation.

Terminals



SANYO's Digital System Company has received ISO 14001 certification for the environmental management system used in its factory.



Pixelworks ICs are used in this projector

<http://www.sanyo-lcdp.com/>

Caution: Please consult the instruction manual to ensure safe and proper operation of the product.

Distributed by:



SANYO Electric Co., Ltd.
Digital System Company

© 2009 SANYO Printed in JAPAN 2009.6 SI
SML135