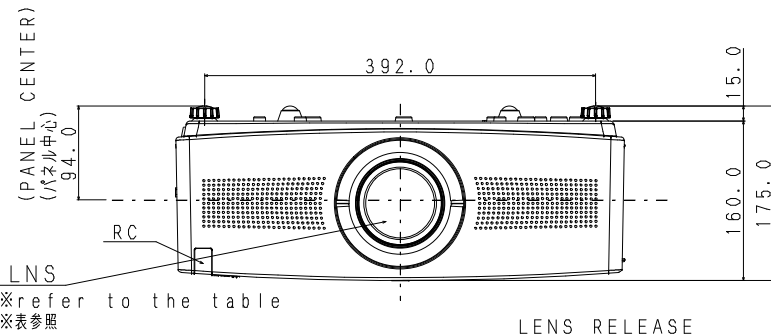


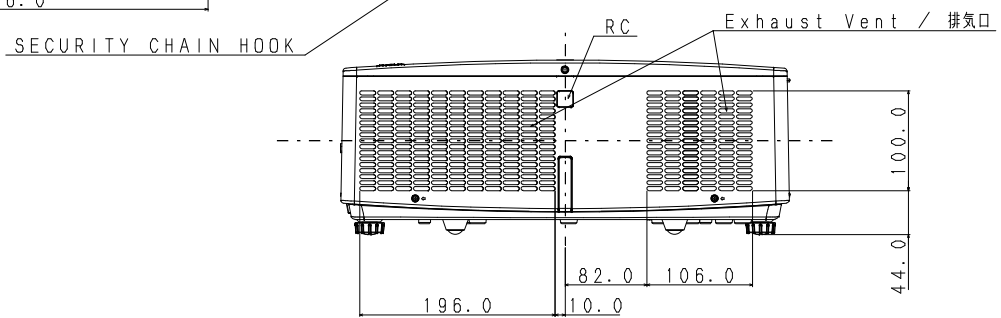
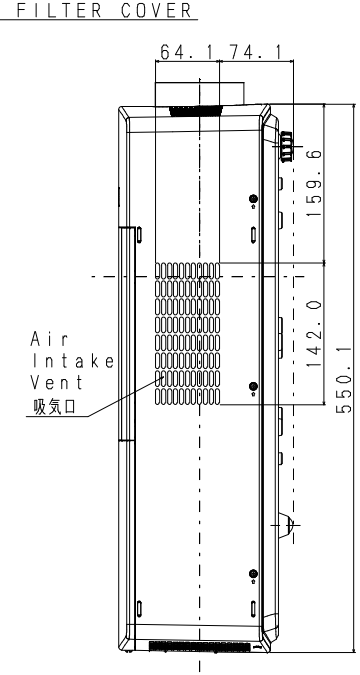
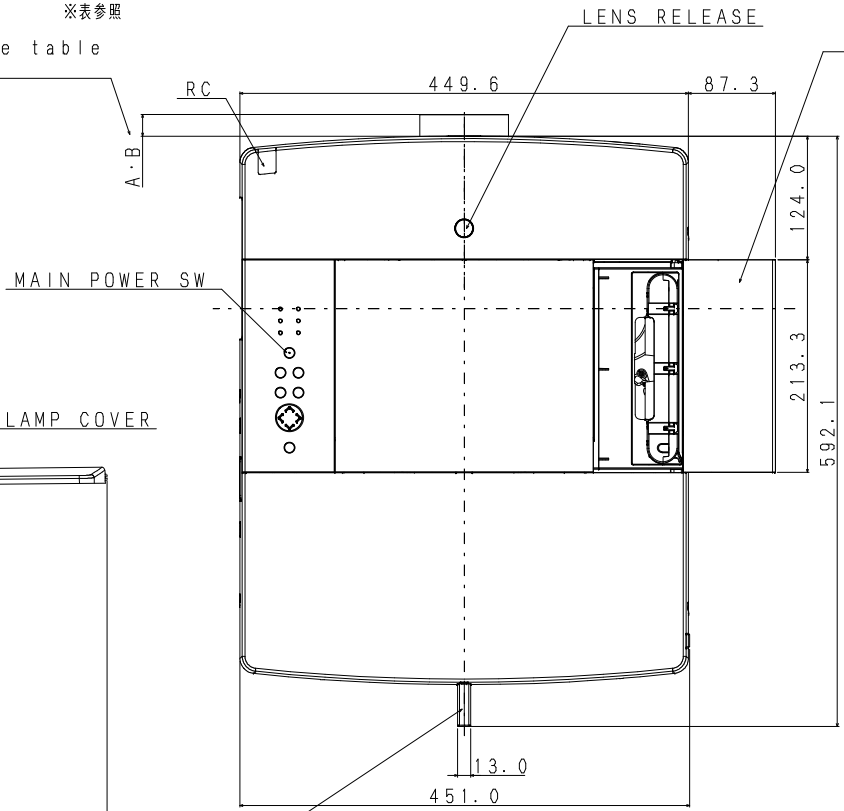
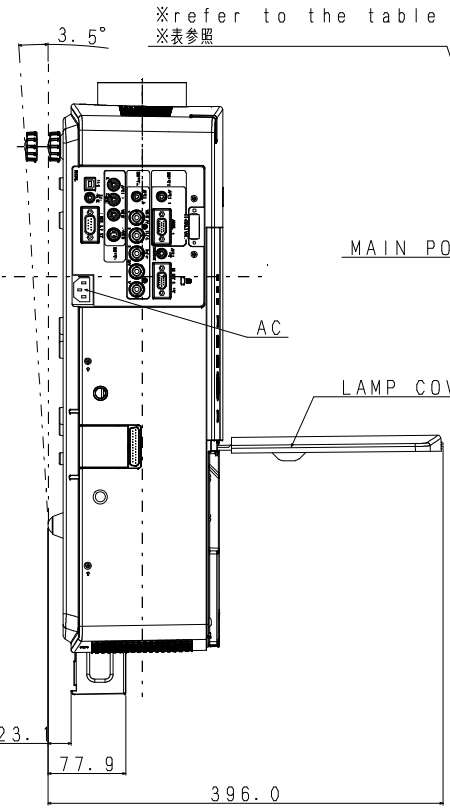
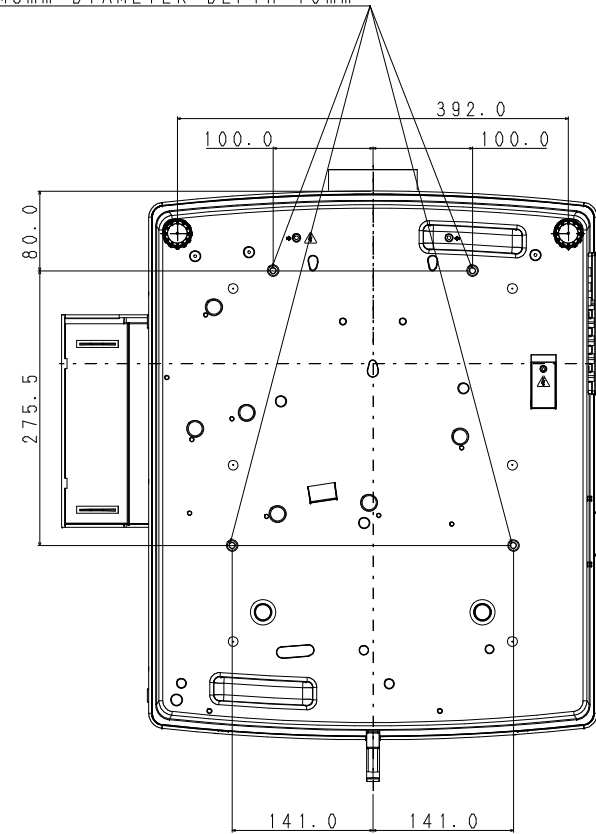
※

LENS/レンズ	A (TELE)	B (WIDE)
LNS-S11	-3.1 (Fixed/固定)	
LNS-T10	21.7 (Fixed/固定)	
LNS-T11	25.2 (Fixed/固定)	
LNS-W10	-9.8 (Fixed/固定)	
LNS-W11	-11.9 (Fixed/固定)	

・The projection from the cabinet is not in a minus display.
 ・マイナス表示はキャビからの突出なし



4-M6mm DIAMETER DEPTH 10mm



SET DIM: 550.1 (W) X 160.0 (H) X 449.6 (D)
 SET DIM: 550.1 (W) X 175.0 (H) X 451.0 (D)
 (including projection)
 (突起物含む)