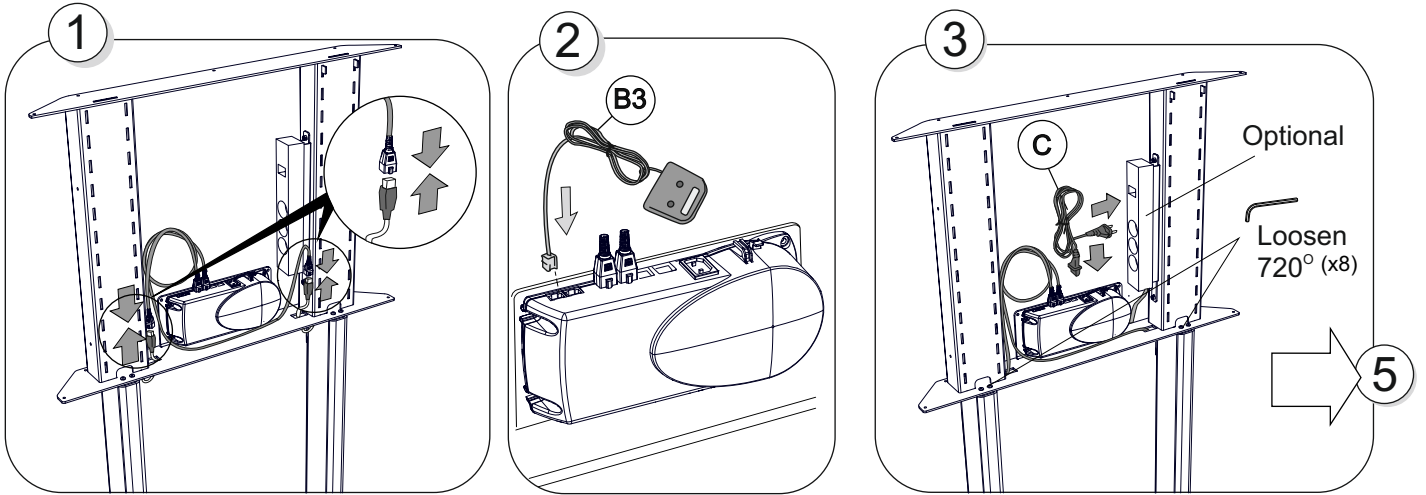


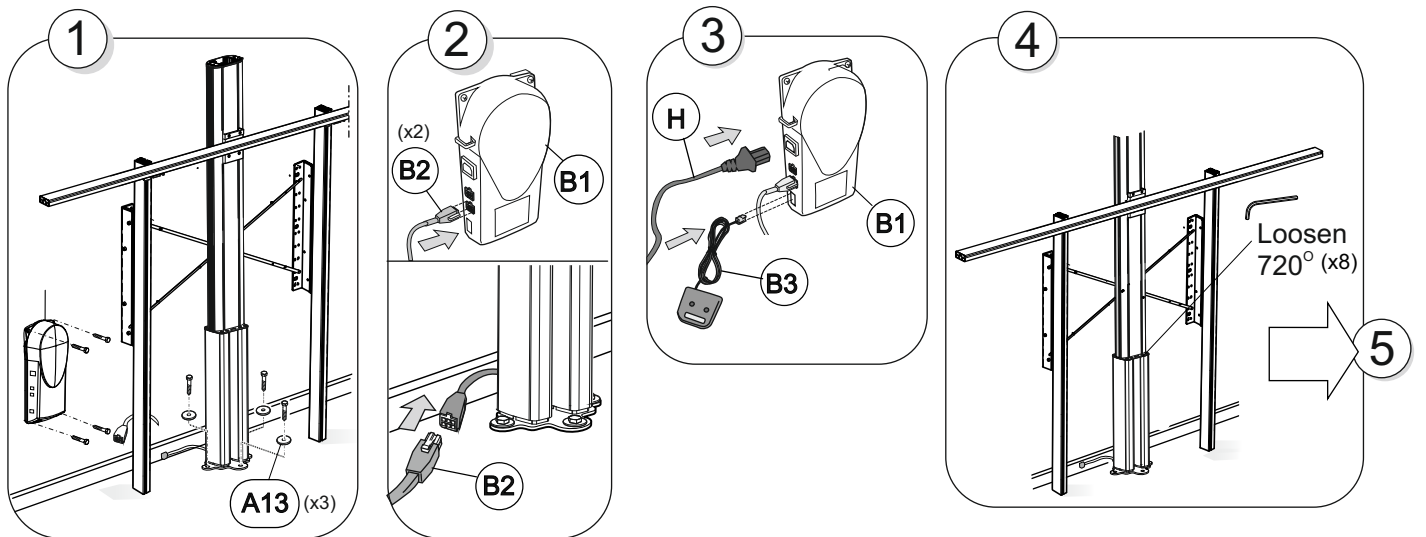
Set motors to zero

2011-04-04 Replaces earlier instruction

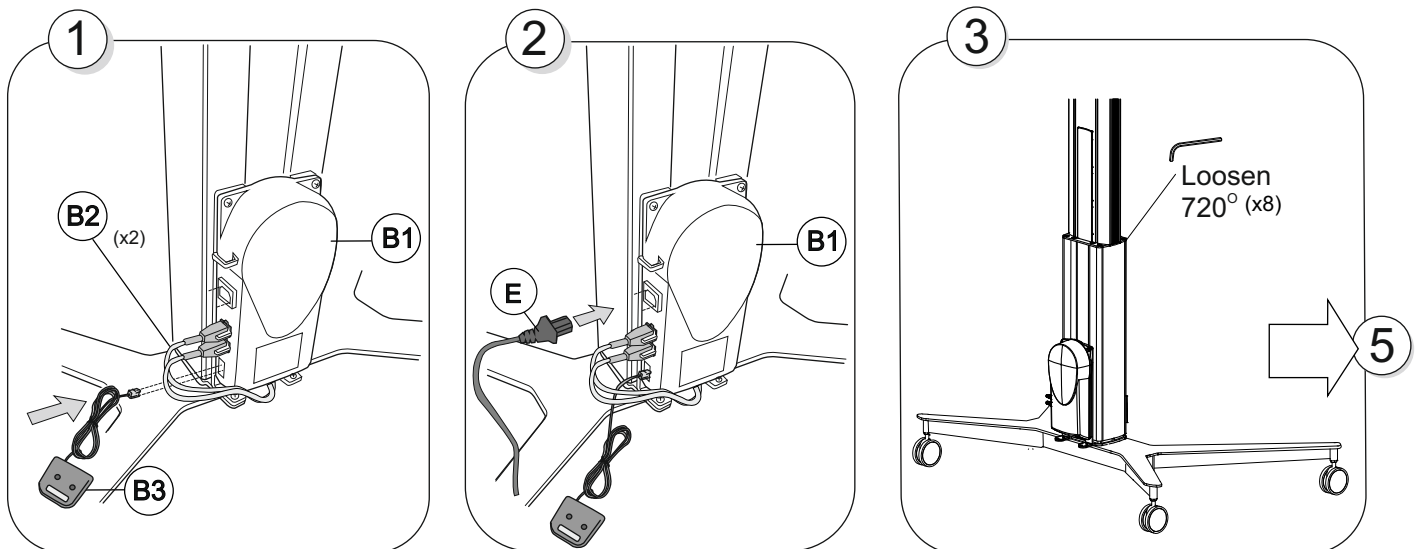
SMS Touch Mobile Motorized, SMS Touch Wall-Floor Motorized

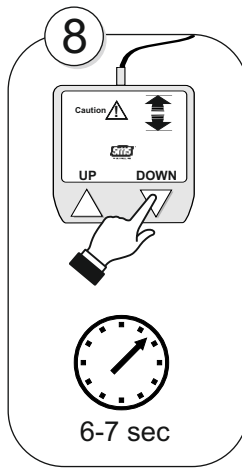
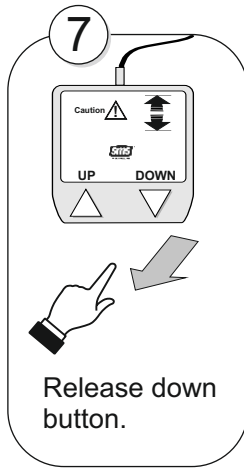
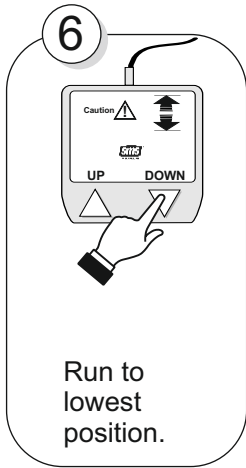
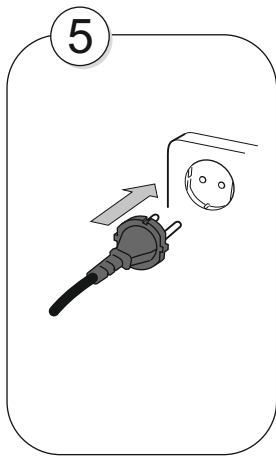


SMS Short Throw Wall XL Motorized



SMS Short Throw Mobile Motorized





=Set to zero

