

SMS FLATSCREEN X WFM VIDEO CONFERENCE



Secure distance conferencing with twice the image area.

A video conference system mounted on the wall or standing on the floor, with space for double screens of dimension 32-40" (depending on VESA) and a top-mounted video camera. The camera shelf and its bracket are ordered separately. The system can be fitted with electrical power sockets (ordered separately) and it is easy to add shelves and cabinets for DVDs and other peripherals, depending on the column length selected.

The X series is characterised by clean and refined features. The cable holder, for example, into which it is easy to place all cables by hand. The surface finish has also been given extra attention.

- | | | | |
|---|---|--|--------------------------------|
| <input type="radio"/> Ceiling | <input type="radio"/> Heavy weight | <input type="radio"/> Fixed | <input type="radio"/> Variable |
| <input checked="" type="radio"/> Wall | <input checked="" type="radio"/> Middle weight | <input checked="" type="radio"/> Swivel | <input type="radio"/> UniSlide |
| <input checked="" type="radio"/> Floor | <input type="radio"/> Light weight | <input type="radio"/> Tilt | <input type="radio"/> Hidden |
| <input type="radio"/> Table | | <input type="radio"/> 3D | <input type="radio"/> Double |
| | | <input type="radio"/> Mobile | |



SMS FLATSCREEN X - WFM VIDEO CONFERENCE

INFO

- Finish: A/W (Aluminium/white).
- Max. load: 30 kg/screen.
- Length (column): 1955 mm.
- Swivel: Approximately 10-15°.

We recommend screens from 32" to 40" (min. width of screen 700 mm and max. width of screen approximately 1000 mm) for VESA 100 x 100, 200 x 100 and 200 x 200 mm.

ART. NO

PD091003-P0

DESCRIPTION

SMS Flatscreen X WFM S1955 Video Conf

ACCESSORIES:

PD300010-P0 SMS X Conference Camera Shelf Small incl Shelf Holder White
 PD300011-P0 SMS X Conference Codec/Camera Shelf incl Shelf Holder White

PD100001 SMS Power Socket EU (Schuko)
 PD100002 SMS Power Socket CH
 PD100003 SMS Power Socket UK

PD300005-PO SMS X Shelf White*
 PD300006-PO SMS X Shelf Oak*
 PD300007-PO SMS X Shelf Walnut*
 PD400001 SMS X Media Box White*
 PD400003 SMS X Media Box Oak*
 PD400004 SMS X Media Box Walnut*
 PD410001 SMS X Media Box Rack Accessory*

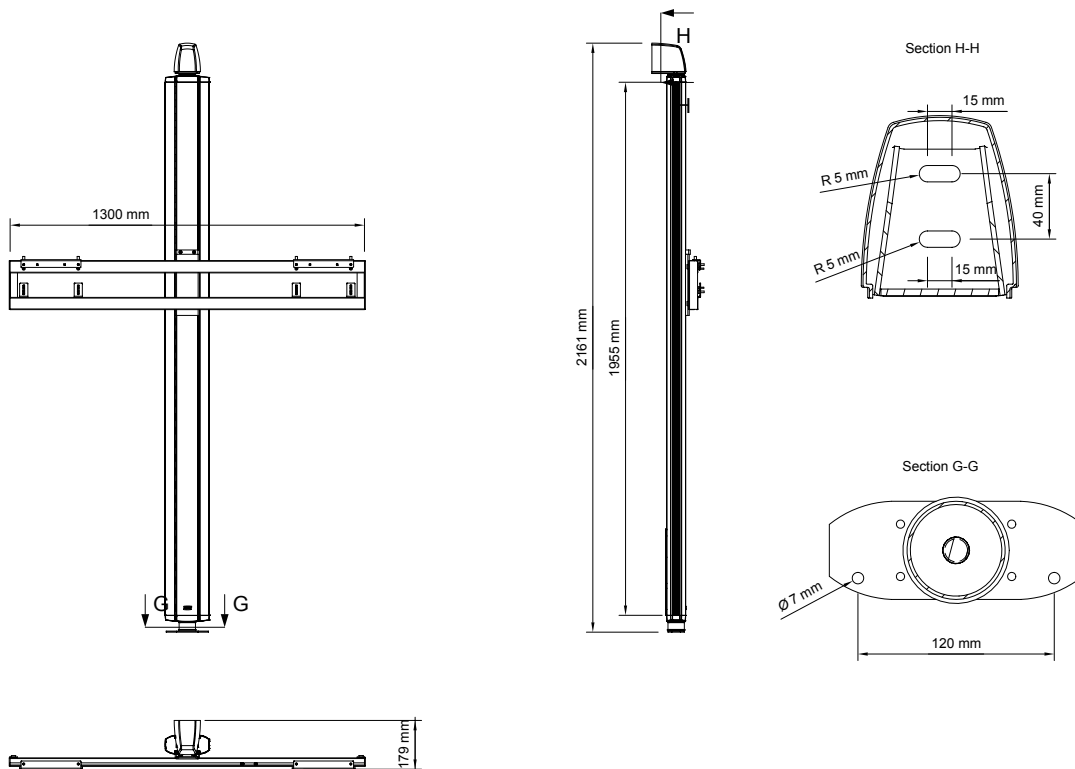
*More information in separate product sheet.



All peripheral equipment readily available using practical accessories such as shelves and cabinets.

Electrical power sockets can be mounted at the rear.

Rotatable, discrete, secure attachment.



SMART MEDIA SOLUTIONS

www.SmartMediaSolutions.se