

Ultra Portable Multimedia
Projector

PLC-XU355/ XU305/ XU301
PLC-XU350/ XU300



PLC-XU355/ XU305/ XU301

Remote Control



PLC-XU350/ XU300



Bright Mobile Projector with Simple Wireless Function

Industry's first*1 "Simple Wireless Setting"*2,3 Via USB memory (PLC-XU355/ XU305)**

Just plug the provided USB memory stick into a PC and click to automatically set-up your wireless LAN. **2,3 You can easily start projection without having to use a driver CD or make any complicated settings. Those models can be connected to several PCs via wireless connection, and each PC can be connected to up to five projectors. This function allows PCs and projectors to be flexibly laid out to match the scale of the presentation, without having to bother with cable lengths. *4

*1 As of the estimated release date, April 2009, for projectors.
*2 Depending on the settings of the PC, the set-up may not be automatically completed.
*3 For systems with wireless network LAN (IEEE802.11b/g) capability
*4 Maximum of 30 m when there are no obstacles such as walls (depending on the signal environment).

Easy Setup Function

PLC-XU355/ XU305/ XU301/ XU350/ XU300 provides "Auto Setup Function" that corrects vertical shape distortion by searching for an input signal and detecting projector incline, reducing setup time. Furthermore, the "Screen Guidance Function" allows projector set up according to the displayed guidance. This function provides all an easy guide to projection.

7 W Speaker (PLC-XU355/ XU305/ XU301)

Along with its mobility, the PLC-XU355/ XU305/ XU301 features high-output 7 W speaker that deliver sufficient audio authority for the projector to be used in conference rooms, classrooms, and other spaces with only the built-in speaker.

Step 1 Simple mode setting

Step 2 Plug the provided USB memory stick into the PC.

Step 3 Select "Network capture 5," and click "OK." **5

*5 Two clicks or more may be necessary depending on the computer used



PLC-XU350/ XU300: 1 W Speaker

Bright 3,500 Lumens (PLC-XU355/ XU350)

PLC-XU355/ XU350 achieve a bright 3,500 lumens thanks to a number of advanced technologies in their optical engine and a 225 W lamp. Approaching the brightness of many large, multi-lamp models, these advanced projectors are suited to a wide range of applications in event halls, classrooms, and meeting rooms.

PLC-XU305/ XU301/ XU300: 3,000 Lumens



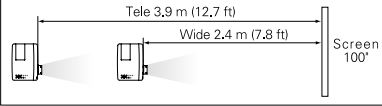
Wide-Range 1.6x Zoom (PLC-XU355/ XU305/ XU301)

The wide-range 1.6x zoom lens lets you project a 100" image from as close as 2.4 meters (7.8 ft) from the screen, to as far away as 3.9 meters (12.7 ft). That makes it a lot easier to find suitable places to set the projector up.

PLC-XU305/ XU300: 1.2x Zoom

Throw distance comparison image

PLC-XU355/ XU305/ XU301



Other Features

- USB Memory Viewer (XU355/ XU305)
- PJ Link compatibility
- 17-Language on-screen menu
- Custom startup logo
- User logo (screen capture)
- No show
- Freeze
- Presentation timer

Terminals

PLC-XU355/ XU305



PLC-XU301



PLC-XU350/ XU300

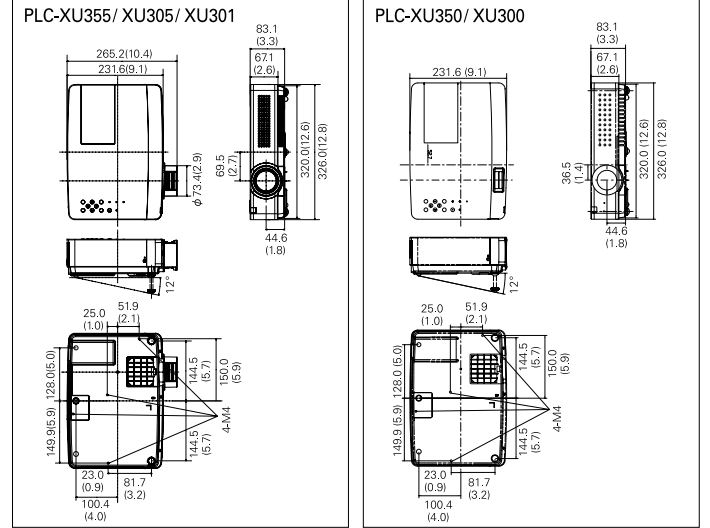


Approximate throw distance/ picture size (unit: m (ft))

Screen Size 4:3 aspect ratio	XU355/ XU305/ XU301		XU350/ XU300	
	WIDE	TELE	WIDE	TELE
60"	1.4 (4.7)	2.3 (7.6)	2.1 (6.9)	2.5 (8.3)
70"	1.7 (5.4)	2.7 (8.9)	2.5 (8.1)	3.0 (9.7)
80"	1.9 (6.2)	3.1 (10.2)	2.8 (9.2)	3.4 (11.1)
100"	2.4 (7.8)	3.9 (12.7)	3.5 (11.6)	4.2 (13.9)
150"	3.6 (11.8)	5.8 (19.1)	5.3 (17.4)	6.4 (20.9)
200"	4.8 (15.8)	—	7.1 (23.2)	8.5 (27.8)
250"	6.0 (19.7)	—	8.8 (29.0)	10.6 (34.8)
300"	7.2 (23.7)	—	10.6 (34.8)	12.7 (41.8)

Approximate throw distances shown above were calculated on lens design specifications. Please note that up to 5% deviation may result due to lens variation.

Dimensions (unit: mm (inch))



Specifications

Model name	PLC-XU355	PLC-XU305	PLC-XU301	PLC-XU350	PLC-XU300
Panel	0.63 inch TFT p-Si x 3 with Micro Lens				
No. of pixels	2,359,296 (1024x768 dots)				
Lamp wattage	225 W				
Brightness (typical) *1	3500 lm	3000 lm	3000 lm	3500 lm	3000 lm
Contrast *1	500:1				
Uniformity *1	85% (corner to center)				
Projection lens	F1.65 - 2.33, f = 15.5 - 24.5 mm (0.6 - 1.0 inch)			F1.6 - 1.76, f = 22.3 - 26.8 mm (0.8 - 1.1 inch)	
Screen size	30" - 300" 0.7 - 7.2 m (2.3 - 23.7 ft) 100" at 2.4 - 3.9 m (7.8 - 12.7 ft)			40" - 300" 1.4 m - 12.7 m (4.7 - 41.8 ft) 100" at 3.5 - 4.2 m (11.6 - 13.9 ft)	
Zoom / Focus	1-1.6 Manual driven U:D = 9:1			1-1.2 Manual driven U:D = 9:1	
SD/ HDTV signals	480i, 480p, 575i, 575p, 720p, 1035i and 1080i				
Color systems	PAL / SECAM / NTSC / NTSC4.43 / PAL-M / N				
Video Signal	S-Video, Composite, Dsub-15pin for Component				
Terminal	RCA: Video Mini-DIN 4-pin: S-Video Dsub-15: Component				
Computer compatibility	(UXGA / WXGA / SXGA) / XGA / SVGA / VGA / MAC				
Terminal	Dsub-15 and DVH for Input, Dsub-15 for Monitor Output			Dsub-15, Dsub-15 for Input or Monitor out	
Audio	RCA (L/R) for Video input Mini-Jack x 2 (Stereo) for Computer input Mini-Jack (Stereo) for output (variable)				
Communication Terminal	Dsub-9 for Control Port (RS-232C), USB-A / B, RJ-45 for LAN			Dsub-9 for Control Port (RS-232C), RJ-45 for LAN	
Presentation Tool	Freeze / Digital Zoom / No Show / etc				
Other Feature	Progressive, 3-2 & 2-2 pull down, LTI & CTI, *2 User Logo				
Scanning frequency	H/V sync 15 - 100 kHz, 50 - 100 Hz Dot clock 140 MHz				
Sound output	7.0 W Mono			1.0 W Mono	
Fan Noise	29 dBA (Eco mode)				
Voltage	100 V-240 V AC (auto voltage)				
Power consumption	100-120 V AC	330 W (Normal) / 252 W (Eco) / 2.8 W (Standby Eco)		302 W (Normal) / 238 W (Eco) / 2.6 W (Standby Eco)	
	200-240 V AC	310 W (Normal) / 240 W (Eco) / 4.4 W (Standby Eco)		288 W (Normal) / 225 W (Eco) / 4.2 W (Standby Eco)	
Dimensions (W x H x D)	326.0 x 83.1 x 231.6 mm (12.8 x 3.3 x 9.1 inch) (not include prulotion)				
Weight	2.9 kg (6.4 lb)		2.8 kg (6.2lb)		2.6 kg (5.7lb)
Included accessories	Quick reference guide, User's manual (CD-ROM), CD-ROM read me note, PIN code label, Computer cable (Dsub15-Dsub15), Remote control, AAA Battery x 2, Lens cap Network Viewer & Capture software (CD-ROM) Easy wireless setup software (USB Memory)				

*Replacement Lamp Type No:POA-LMP131

*1 Average overall value for product at time of shipment. Specifications are presented using the JIS X 6911: 2003 Data Projector Specifications Format. Measurement methods and conditions are based on Appendix 2 of the standard. Product and company names are the trademarks or registered trademarks of their respective companies. *2 Luminance Transient Improvement (LTI) and Color Transient Improvement(CTI) sharpen the detail.



All products manufactured by the Projector Division of SANYO's Digital System Company employ a quality management system that has undergone the inspection and registration process of the ISO 9001:2000 international standard.



SANYO's Digital System Company has received ISO 14001 certification for the environmental management system used in its factory.

<http://www.sanyo-lcdp.com/>



Pixelworks ICs are used in this projector

Caution: Please consult the instruction manual to ensure safe and proper operation of the product.

Distributed by:

SANYO

SANYO Electric Co., Ltd.
Digital System Company