

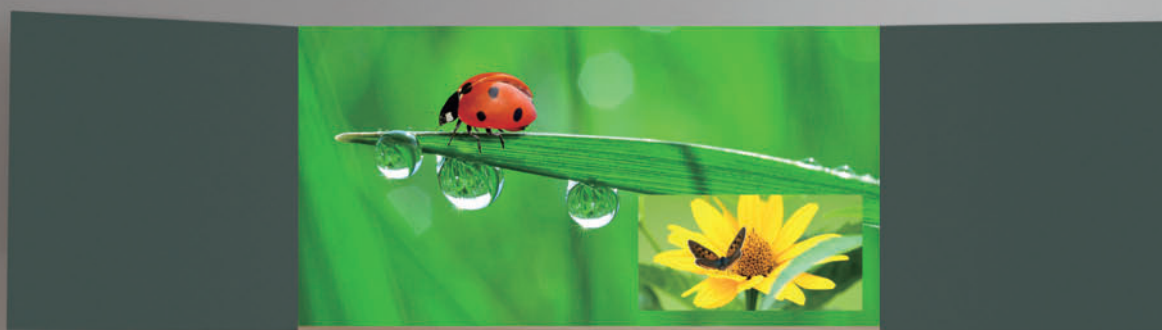
Ultra Portable Projector

**SANYO**

PLC-WU3800

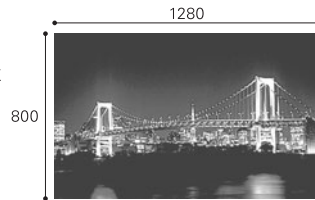


**Bright Images,  
Versatile Installation,  
Flexible Use for Education  
and Business.**



## High-resolution Wide XGA compatibility

The adoption of a high-resolution WXGA panel enables projection of 16:10 aspect ratio Wide XGA (1280 x 800 dot) images.



## 3,800-lumen brightness

A 275 W high-output lamp provides high brightness of 3,800 lumens. Large-screen projection is possible even in high-intensity light.

## 1.6x zoom lens

The wide-range 1.6x zoom lens lets you project a 100" image from as close as 2.5 meters (8.3 ft) from the screen, to as far away as 4.0 meters (13.2 ft). That makes it a lot easier to find suitable places to set the projector up.

## Picture-in-Picture function and Picture-by-Picture function

'Picture-in-Picture' and 'Picture-by-Picture' functions can project two images simultaneously, allowing two sources to be viewed to introduce a product or point.

Picture-in-Picture



Picture-by-Picture



## Network control and management via Wired LAN

Wired LAN (RJ-45) lets you manage and control the projector over a network. It is possible to check the operating time of the lamp and manage warning notifications by e-mail. Power ON / OFF and input signal switching can also be controlled. This can save you a lot of time in management and control.

\* Images cannot be transmitted over the network.

## Easy setup function

'Auto Input Signal Search' function automatically performs the projector input settings 'Auto Vertical Keystone Correction' function\* automatically eliminates vertical distortion. 'Guidance Function' displays connection instructions on the projection screen when no signal is detected, enabling easy setup even for the novice users.

\* Vertical keystone correction : ±40 degree (Auto : ±20 degree)

## Other Features

- HDMI (1.3b) terminal
- Power Off and Go
- PJ Link compatibility
- 17-Language on-screen menu
- User logo (screen capture)
- No show
- Freeze
- Presentation timer
- Closed caption (NTSC only)
- Blackboard + color board mode



All products manufactured by the Projector Division of SANYO's Digital System Company employ a quality management system that has undergone the inspection and registration process of the ISO 9001 international standard.

## Specifications

Model name	PLC-WU3800	
Panel	0.74 inch TFT p-Si x 3 with Micro Lens	
No. of pixels	3,072,000 (1280 x 800 dots x 3)	
Projection lamp	275 W	
Brightness (typical) *1	3800 lm (Lamp mode "High")	
Contrast *1	500:1 (Lamp mode "High")	
Uniformity *1	85% (corner to center)	
Projection lens	F1.7 - 2.5, f = 19.2 - 30.2 mm (0.76 - 1.19 inch)	
Screen size	40" - 300"	
Throw distance	1.0 (wide) - 12.1 (tele) m (3.2 - 39.8 ft), 100" at 2.5 - 4.0 m (8.3 - 13.2 ft)	
Zoom / focus	1:1.6 Manual driven U:D = 49 : 1	
SD / HDTV signals	480i, 480p, 575i, 575p, 720p, 1035i, 1080i and 1080p	
Color systems	PAL / SECAM / NTSC / NTSC4.43 / PAL-M/N	
Video signal	Composite, S-Video, D-sub 15pin for Component	
Computer compatibility	WUXGA / WSXGA+ / WXGA+ / WXGA / UXGA / SXGA+ / SXGA / XGA / SVGA / VGA	
Terminal	HDMI for Digital signals, Dsub-15 for Input, Dsub-15 for Input / Monitor Out RCA: Composite Video, Mini-DIN 4-pin: S-Video	
Audio	RCA (L/R) for Video Input, Mini-Jack (Stereo) x 2 for Computer Input Mini-Jack (Stereo) for output (variable)	
Communication terminal	Dsub-9 Control Port (RS-232C), RJ-45 for LAN	
Presentation tool	Freeze / Digital Zoom / No Show / etc	
Other features	Progressive, 3-2 & 2-2 pull down, LTI & CTI, *2 User Logo Security : PIN code lock, Key lock	
Scanning frequency	H sync 15-100 kHz, V sync 50-100 Hz Dot clock 140 MHz	
Sound output	1.0 W Mono	
Voltage	100V-240V AC (auto voltage)	
Power consumption	100-120 V AC	366 W (High) / 334 W (Normal) / 293 W (Eco) Standby 11.2 W (Network) / 0.5 W (Eco)
	200-240 V AC	347 W (High) / 317 W (Normal) / 280 W (Eco) Standby 14.3 W (Network) / 0.7 W (Eco)
Dimensions (W x H x D)	334.2 x 78.4 x 257.5 mm (13.2 x 3.1 x 10.1 inch) (not including protrusion)	
Weight	3.5 kg (7.7 lb)	
Included accessories	Quick reference guide, CD-ROM read me note, PIN code label, Computer cable (Dsub15-Dsub15), Power cord (Detachable), Remote control, User's manual (CD-ROM), Soft carrying bag, Strap for lens cap, Lens cap, AAA Battery x 2	

\* Replacement Lamp Type No: POA-LMP111

\*1 Measurement, measuring conditions, and method of notation all comply with ISO 21118 international standards.

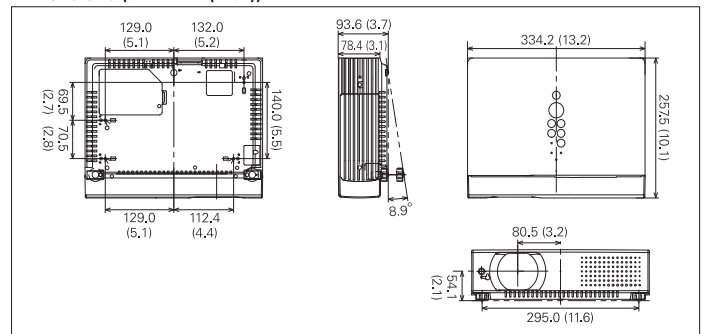
\*2 Luminance Transient Improvement (LTI) and Color Transient Improvement (CTI) sharpen detail.

\* Product and company names are the trademarks or registered trademarks of their respective companies.

\* Product appearance and specifications are subject to change without notice.

\* HDMI, the HDMI logo and High-Definition Multimedia Interface are trademarks or registered trademarks of HDMI Licensing LLC.

## Dimensions (unit: mm (inch))



## Approximate throw distance / picture size (unit: m (ft))

Screen Size 16 : 10 aspect ratio		WU3800	
Inch	W x H (m)	WIDE	TELE
60	1.3 x 0.8	1.5 (4.9)	2.4 (7.9)
70	1.5 x 0.9	1.8 (5.8)	2.8 (9.2)
80	1.7 x 1.1	2.0 (6.6)	3.2 (10.5)
100	2.2 x 1.3	2.5 (8.3)	4.0 (13.2)
120	2.6 x 1.6	3.0 (10.0)	4.8 (15.8)
150	3.2 x 2.0	3.8 (12.5)	6.0 (19.8)
200	4.3 x 2.7	5.1 (16.7)	8.1 (26.5)
250	5.4 x 3.4	6.4 (20.9)	10.1 (33.1)
300	6.5 x 4.0	7.7 (25.1)	12.1 (39.8)

Approximate projection distances are calculated based on lens specifications. Individual lenses may diverge from this figure by up to 5% due to slight variations in lens size and shape.



SANYO's Digital System Company has received ISO 14001 certification for the environmental management system used in its factory.



Pixelworks ICs are used in this projector

<http://sanyo.com/projector/>

**Caution:** Please consult the instruction manual to ensure safe and proper operation of the product.

Distributed by:



SANYO Electric Co., Ltd.  
Digital System Company