

Ultra Portable Projector

SANYO

PLC-XU3001

***“Simple and Easy”
Ultra Portable Projectors for
Education and Business***



3,000-lumen brightness

The PLC-XU3001 achieves a bright 3,000 lumens thanks to a number of advanced technologies in its optical engine and a 225 W lamp. This projector is suited to a wide range of applications in classrooms, and meeting rooms.



Easy setup function

'Auto Input Signal Search' function automatically performs the projector input settings 'Auto Vertical Keystone Correction' function* automatically eliminates vertical distortion. 'Guidance Function' displays connection instructions on the projection screen when no signal is detected, enabling easy setup even for the novice users.



* Vertical keystone correction : ±30 degree (Auto : ±20 degree)

7 W speaker

Along with its mobility, the PLC-XU3001 features a high-output 7 W speaker that delivers sufficient audio power for the projector to be used in conference rooms, classrooms, and other spaces with only the built-in speaker.

Network control and management via Wired LAN

Wired LAN (RJ-45) lets you manage and control the projector over a network. It is possible to check the operating time of the lamp and manage warning notifications by e-mail. Power ON / OFF and input signal switching can also be controlled. This can save you a lot of time in management and control.

* Images cannot be transmitted over the network.

Light weight and compactness for greater portability

The compact design (W326.0 x H83.1 x D231.6 mm (12.8 x 3.3 x 9.1 inch))* and light weight body (2.6 kg (5.7 lb)) let you make presentations almost anywhere.

* Not including protruding parts.

Other Features

- 1.2x zoom
- DVI terminal
- Direct off
- PJ Link compatibility
- 17-Language on-screen menu
- User logo (screen capture)
- No show
- Freeze
- Presentation timer
- Closed caption (NTSC only)
- Blackboard + color board mode

Terminals



Remote control



All products manufactured by the Projector Division of SANYO's Digital System Company employ a quality management system that has undergone the inspection and registration process of the ISO 9001 international standard.

Specifications

Model name	PLC-XU3001
Panel	0.63 inch TFT p-Si x 3
No. of pixels	2,359,296 (1024 x 768 dots x 3)
Lamp wattage	225 W
Brightness (typical) *1	3000 lm
Contrast *1	500:1
Uniformity *1	85% (corner to center)
Projection lens	F1.6 - 1.76, f = 22.3 - 26.8 mm (0.8 - 1.1 inch)
Screen size	40" - 300"
Throw distance	1.4 m - 12.7 m (4.7 - 41.8 ft) 100" at 3.5 - 4.2 m (11.6 - 13.9 ft)
Zoom / focus	1-1.2 Manual driven U:D = 9:1
SD / HDTV signals	480i, 480p, 575i, 575p, 720p, 1035i and 1080i
Color systems	PAL / SECAM / NTSC / NTSC4.43 / PAL-M / N
Video signal	S-Video, Composite, Dsub-15pin for Component
Computer compatibility	WUXGA / UXGA / WSXGA+ / SXGA+ / SXGA / WXGA+ / WXGA / XGA / SVGA / VGA
Terminal	DVI-I for Input, Dsub-15 for Input / Component, Dsub-15 for Monitor out, RCA : Composite Video, Mini-DIN 4-pin : S-Video
Audio	RCA (L / R) for Video input, Mini-Jack x 2 (Stereo) for Computer input Mini-Jack (Stereo) for output (variable)
Communication terminal	Dsub-9 for Control Port (RS-232C), RJ-45 for LAN
Presentation tool	Freeze / Digital Zoom / No Show / etc
Other feature	Progressive, 3-2 & 2-2 pull down, LTI & CTI,*2 User Logo
Scanning frequency	H sync 15-100 kHz, V sync 50-100 Hz Dot clock 140 MHz
Sound output	7.0 W Mono
Fan noise	29 dBA (Eco mode)
Voltage	100 V - 240 V AC (auto voltage)
Power consumption	100-120 V AC 302 W (Normal) / 238 W (Eco) / 0.5 W (Standby Eco) 200-240 V AC 288 W (Normal) / 225 W (Eco) / 0.8 W (Standby Eco)
Dimensions (W x H x D)	326.0 x 83.1 x 231.6 mm (12.8 x 3.3 x 9.1 inch) (not include protrusion)
Weight	2.6 kg (5.7 lb)
Included accessories	Quick reference guide, User's manual (CD-ROM), CD-ROM read me note, PIN code label, Computer cable (Dsub15-Dsub15), Remote control, AAA Battery x 2, Soft carrying bag, Lens cap

* Replacement Lamp Type No: POA-LMP131

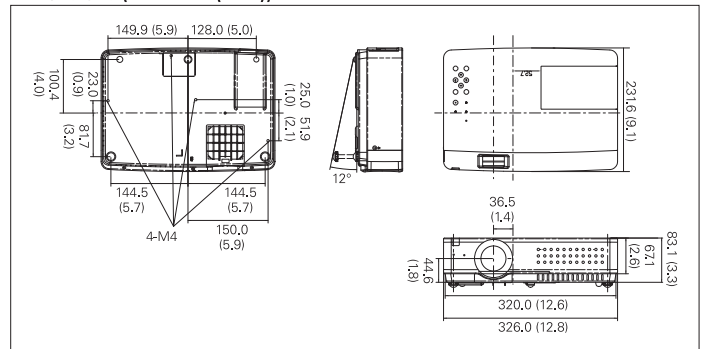
*1 Measurement, measuring conditions, and method of notation all comply with ISO 21118 international standards.

*2 Luminance Transient Improvement (LTI) and Color Transient Improvement (CTI) sharpen detail.

* Product and company names are the trademarks or registered trademarks of their respective companies.

* Product appearance and specifications are subject to change without notice.

Dimensions (unit: mm (inch))



Approximate throw distance / picture size (unit: m (ft))

Screen Size 4 : 3 aspect ratio		XU3001	
Inch	W x H (m)	WIDE	TELE
60	1.2 x 0.9	2.1 (6.9)	2.5 (8.3)
70	1.4 x 1.1	2.5 (8.1)	3.0 (9.7)
80	1.6 x 1.2	2.8 (9.2)	3.4 (11.1)
100	2.0 x 1.5	3.5 (11.6)	4.2 (13.9)
120	2.4 x 1.8	4.2 (13.9)	5.1 (16.7)
150	3.0 x 2.3	5.3 (17.4)	6.4 (20.9)
200	4.1 x 3.0	7.1 (23.2)	8.5 (27.8)
250	5.1 x 3.8	8.8 (29.0)	10.6 (34.8)
300	6.1 x 4.6	10.6 (34.8)	12.7 (41.8)

Approximate projection distances are calculated based on lens specifications. Individual lenses may diverge from this figure by up to 5% due to slight variations in lens size and shape.



SANYO's Digital System Company has received ISO 14001 certification for the environmental management system used in its factory.



Pixelworks ICs are used in this projector

<http://sanyo.com/projector/>

Caution: Please consult the instruction manual to ensure safe and proper operation of the product.

Distributed by:

SANYO

SANYO Electric Co., Ltd.
Digital System Company

© 2011 SANYO Printed in JAPAN 2011.7 SI
SML177