

SMS FLATSCREEN X

FH M605/1 105/1 455/1955



Easy to place, easy to use.

This is a very flexible solution mounted on wheels that allows the screen to be rotated from a vertical to a horizontal position after mounting. The bracket can be fitted with electrical power sockets (available as an option) and it is easy to add shelves and cabinets for DVDs and other peripherals. A motorized version is also available, with convenient electrical adjustment of the height.

The X series is characterised by clean and refined features. The cable holder, for example, into which it is easy to place all cables by hand. The surface finish has also been given extra attention.

- | | | | |
|---|--|--|--------------------------------|
| <input type="radio"/> Ceiling | <input checked="" type="radio"/> Heavy weight | <input type="radio"/> Fixed | <input type="radio"/> Variable |
| <input type="radio"/> Wall | <input type="radio"/> Middle weight | <input type="radio"/> Swivel | <input type="radio"/> UniSlide |
| <input checked="" type="radio"/> Floor | <input type="radio"/> Light weight | <input type="radio"/> Tilt | <input type="radio"/> Hidden |
| <input type="radio"/> Table | | <input type="radio"/> 3D | <input type="radio"/> Double |
| | | <input checked="" type="radio"/> Mobile | |

X

SMS FLATSCREEN X - FH M605/1105/1455/1955

INFO

- Finish: A/W (Aluminium/white).
- Max. load: 50 kg/screen. The optional accessory SMS X H+ Unislide enables the bracket to bear up to 100 kg/screen. Motorized: 50 kg/screen and pillar.
- Length (column): 1105, 1455 or 1955 mm. Motorized: 605, 1105 mm.

Delivered as standard with our Unislide – SMS X H Unislide, which can be used with all VESA standards from 200 x 200 to 800 x 400 mm. (Screens ~40-55"). The SMS X H+ Unislide is available as an option. This can be used with all VESA standards from 200 x 200 to 1200 x 700 mm. (Screens ~60-80"). The SMS X H+ Unislide cannot be used with the motorized version.

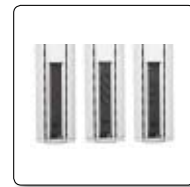
ART. NO

ART. NO	DESCRIPTION
PD031001-P0	SMS Flatscreen X FH M1105 A/W
PD031002-P0	SMS Flatscreen X FH M1455 A/W
PD031003-P0	SMS Flatscreen X FH M1955 A/W
XM031001-P0	SMS Flatscreen X FH M605 W/S Motorized Singel
XM031002-P0	SMS Flatscreen X FH M1105 W/S Motorized Singel

ACCESSORIES:

AE018002	SMS X Remote Control Kit
PD100001	SMS Power Socket EU (Schuko)
PD100002	SMS Power Socket CH
PD100003	SMS Power Socket UK
PD210002	SMS X H+ Unislide*
PD300005-P0	SMS X Shelf White*
PD300006-P0	SMS X Shelf Oak*
PD300007-P0	SMS X Shelf Walnut*
PD400001	SMS X Media Box White*
PD400003	SMS X Media Box Oak*
PD400004	SMS X Media Box Walnut*
PD410001	SMS X Media Box Rack Accessory*

*More information in separate product sheet.

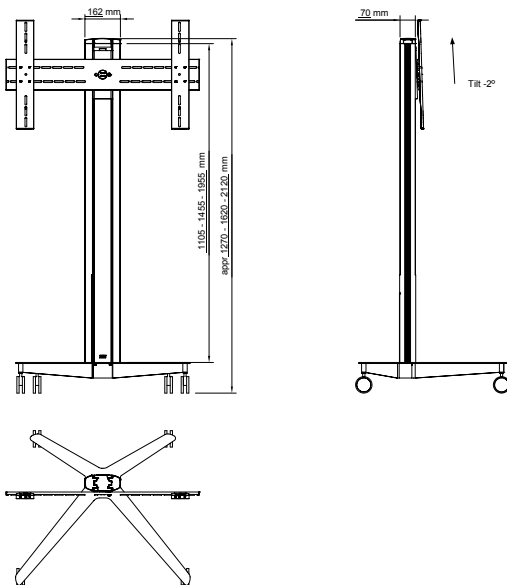


All peripheral equipment readily available using practical accessories such as shelves and cabinets.

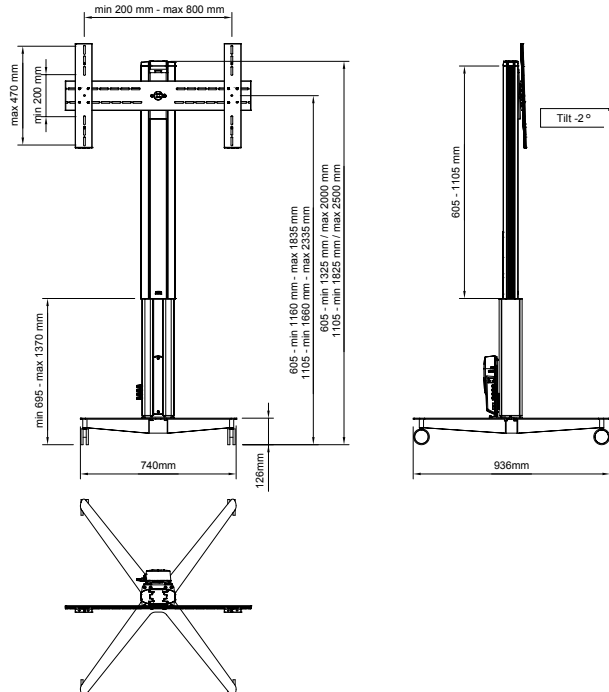
The motorized version has convenient adjustment of height.

Electrical power sockets can be mounted at the rear.

SMS FLATSCREEN X FH M



SMS FLATSCREEN X FH M MOTORIZED SINGEL



SMART MEDIA SOLUTIONS

www.SmartMediaSolutions.se