
S P E C F I L E

Product Number : PT-**RQ13K**
Product Name : 3-Chip DLP™ Projector

Specifications

Main unit

Power supply		AC 100–240 V, 50/60 Hz (Note: Brightness may decrease depending on power conditions)
Power consumption		1,270 W (0.3 W with STANDBY MODE set to ECO.*1 4 W with STANDBY MODE set to NORMAL.), Average power consumption NORMAL: 913W ECO: 782W LONG LIFE1: 531-732W LONG LIFE 2: 477-702W LONG LIFE 3: 423-665W *Operating Temperature: 25 °C (77 °F), Altitude: 700m (22 ft 12 in), ICE627087: 2008 Broadcast contents, Picture mode: Dynamic, Dynamic Contrast3
DLP™ chip	Panel size	22.9 mm (0.9 inches) diagonal (16:10 aspect ratio)
	Display method	DLP™ chip × 3 (R, G, B), DLP™ projection system
	Pixels	4,096,000 (2,560 × 1,600) × 3, total of 12,288,000 pixels 49,152,000 (12,288,000 × 4) pixels when Quad Pixel Drive set to ON
Refresh Rate		240 Hz
Lens		Optional powered zoom/focus lenses
Light source		Laser Diode (Laser class: Class 1)*Class 3R for North America. Luminance life for set: 20,000 hours at half luminance (normal)/ 24,000 hours at half luminance (Eco) * Temperature: 35°C (95°F), Altitude 700m (22ft 12in), Dust: 0.15mg/m ³ 43,800 hours at constant luminance (Longlife1) 61,320 hours at constant luminance (Longlife2) 87,600 hours at constant luminance (Longlife3)
Screen size		1.78–25.4 m (70–1,000 inches) (16:10 aspect ratio) 1.78–15.24 m (70–600 inches) with the ET-D75LE8 (16:10 aspect ratio) 3.05–15.24 m (120–600 inches) with the ET-D75LE90 (16:10 aspect ratio)
Brightness*2		10,000 lumens
Center-to-corner uniformity*2		90%
Contrast*2		20,000:1 (full on/full off, in Dynamic Contrast 3 mode)
Resolution		5,120 × 3,200 pixels (Quad Pixel Drive: ON)
Scanning frequency	SDI	SD-SDI signal SMPTE ST 259 compliant (YCBCR 4:2:2 10-bit): 480i, 576i Single-link HD-SDI signal SMPTE ST 292 compliant (YPBPR 4:2:2 10-bit): 720/60p, 720/50p, 1035/60i, 1080/60i, 1080/50i, 1080/25p, 1080/25sF, 1080/24p, 1080/24sF, 1080/30p, 1080/30sF Single-link 3G-SDI signal SMPTE ST 424 compliant (YPBPR 4:2:2 10-bit): 1080/60p, 1080/50p, 2048 x 1080/48p, 2048 x 1080/50p, 2048 x 1080/60p, (RGB 4:4:4 12-bit/10-bit, YPBPR 4:4:4 12-bit/10-bit): 1080/60i, 1080/50i, 1080/25p, 1080/25sF, 1080/24p, 1080/24sF, 1080/30p, 1080/30sF, (RGB 4:4:4 12-bit/10-bit, YPBPR 4:4:4 12-bit/10-bit, X'Y'Z' 4:4:4 12-bit*3): 2048 x 1080/24p, 2048 x 1080/24sF, 2048 x 1080/25p, 2048 x 1080/25sF, 2048 x 1080/30p, 2048 x 1080/30sF Dual-link HD-SDI signal SMPTE ST 372 compliant (YPBPR 4:2:2 10-bit): 1080/50p, 1080/60p, (RGB 4:4:4 12-bit/10-bit, YPBPR 4:4:4 12-bit/10-bit): 1080/60i, 1080/50i, 1080/24p, 1080/24sF, 1080/25p, 1080/25sF, 1080/30p, 1080/30sF, 2048 x 1080/24p, 2048 x 1080/24sF, 2048 x 1080/25p, 2048 x 1080/25sF, 2048 x 1080/30p, 2048 x 1080/30sF, (X' Y' Z' 4:4:4 12-bit*3): 2048 x 1080/24p, 2048 x 1080/24sF, 2048 x 1080/25p, 2048 x 1080/25sF, 2048 x 1080/30p, 2048 x 1080/30sF Dual-link 3G-SDI signal SMPTE ST 425 compliant (YPBPR 4:4:4 12-bit/10-bit): 1080/50p, 1080/60p, 2048 x 1080/48p, 2048 x 1080/50p, 2048 x 1080/60p, (RGB 4:4:4 12-bit/10-bit) : 1080/50p, 1080/60p, 2048 x 1080/48p, 2048 x 1080/50p, 2048 x 1080/60p, (YPBPR 4:2:2 10-bit): 3840 x 2160/24p, 3840 x 2160/25p, 3840 x 2160/30p, 4096 x 2160/24p, 4096 x 2160/25p, 4096 x 2160/30p

Scanning frequency SDI

Quad-link HD-SDI signal (YPBPR 4:2:2 10-bit) :

3840 x 2160/24sF, 3840 x 2160/24p, 3840 x 2160/25sF, 3840 x 2160/25p,
3840 x 2160/30sF, 3840 x 2160/30p, 4096 x 2160/24sF, 4096 x 2160/24p,
4096 x 2160/25sF, 4096 x 2160/25p, 4096 x 2160/30sF, 4096 x 2160/30p

Quad-link 3G-SDI signal SMPTE ST 425 compliant (YPBPR 4:2:2 10-bit) :

3840 x 2160/60p, 3840 x 2160/50p, 4096 x 2160/60p, 4096 x 2160/50p,
(YPBPR 4:2:2 12-bit, YPBPR 4:4:4 10-bit/12-bit, RGB 10-bit/12-bit)
3840 x 2160/24sF, 3840 x 2160/24p, 3840 x 2160/25sF, 3840 x 2160/25p,
3840 x 2160/30sF, 3840 x 2160/30p, 4096 x 2160/24sF, 4096 x 2160/24p,
4096 x 2160/25sF, 4096 x 2160/25p, 4096 x 2160/30sF, 4096 x 2160/30p

SDI1/SDI2 Simultaneous inputs (2 x speed)*4: 1080/60p, 1080/50p

(1st FRAME: SDI1, 2nd FRAME: SDI2)

SDI1/SDI2/SDI3/SDI4 Simultaneous inputs (4 x speed)*4: 1080/60p, 1080/50p

(1st FRAME: SDI1, 2nd FRAME: SDI2, 3rd FRAME: SDI3, 4th FRAME: SDI4)

DIGITAL LINK: Movie signal resolution : 480i*5/576i*5 – 4096 x 2160,

Still picture signal resolution : 640 x 400 – 2560 x 1600 (non-interlace),

Dot clock frequency: 25 MHz – 297 MHz

Keystone correction range

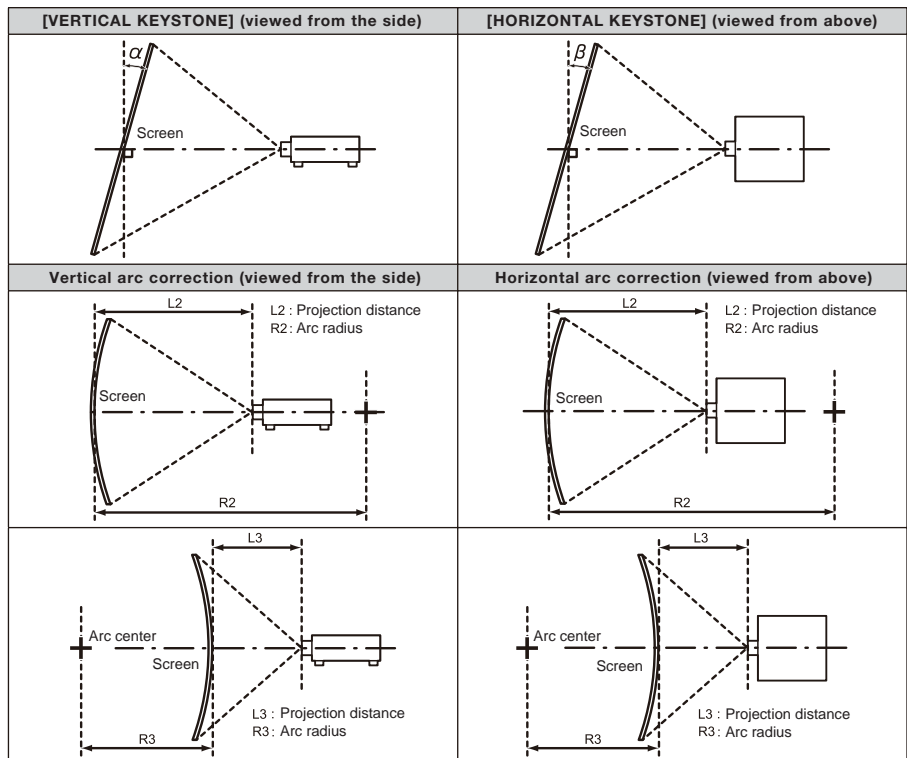
Projection lens Model No.	Only [KEYSTONE] used*1		[KEYSTONE] and [CURVED] used together*1		Only [CURVED] used			
	Vertical keystone correction angle α (°)	Horizontal keystone correction angle β (°)	Vertical keystone correction angle α (°)	Horizontal keystone correction angle β (°)	Min. value of R2/L2	Min. value of 3/L3	Min. value of R2/L2	Min. value of R3/L3
ET-D75LE6	± 28	± 15	± 10	± 10	1.6	3.9	0.9	2.3
ET-D75LE8	± 40	± 15	± 20	± 15	0.2	0.4	0.2	0.3
ET-D75LE10	± 40	± 15	± 10	± 10	1.1	2.6	0.6	1.5
ET-D75LE20	± 40	± 15	± 15	± 10	0.9	1.7	0.5	1.0
ET-D75LE30	± 40	± 15	± 20	± 10	0.6	1.2	0.4	0.7
ET-D75LE40	± 40	± 15	± 20	± 15	0.4	0.7	0.2	0.4
ET-D75LE50	± 22	± 15	± 8	± 8	2.0	4.9	1.2	2.9
ET-D75LE90*2	+5/-0	0	-	-	-	-	-	-

When using the optional Upgrade Kit (Model No.: ET-UK20)

Projection lens Model No.	Only [KEYSTONE] used*1		[KEYSTONE] and [CURVED] used together*1		Only [CURVED] used			
	Vertical keystone correction angle α (°)	Horizontal keystone correction angle β (°)	Vertical keystone correction angle α (°)	Horizontal keystone correction angle β (°)	Min. value of R2/L2	Min. value of 3/L3	Min. value of R2/L2	Min. value of R3/L3
ET-D75LE6	± 28	± 15	± 10	± 10	1.2	3.0	0.7	1.7
ET-D75LE8	± 45	± 40	± 20	± 15	0.2	0.3	0.1	0.2
ET-D75LE10	± 40	± 15	± 10	± 10	0.9	2.0	0.5	1.1
ET-D75LE20	± 40	± 20	± 15	± 10	0.7	1.3	0.4	0.7
ET-D75LE30	± 45	± 25	± 20	± 10	0.5	0.9	0.3	0.5
ET-D75LE40	± 45	± 30	± 20	± 15	0.3	0.5	0.2	0.3
ET-D75LE50	± 22	± 15	± 8	± 8	1.5	3.7	0.9	2.2
ET-D75LE90*2	+5/-0	0	-	-	-	-	-	-

*1 When [VERTICAL KEYSTONE] and [HORIZONTAL KEYSTONE] are used simultaneously, correction cannot be made exceeding total of 30°.

*2 Only the vertical keystone correction angle can be corrected in the direction in which the projector body moves away from the screen.



Optical axis shift	Vertical	±59% (±44% with the ET-D75LE6), (+74-84% with the ET-D75LE90), from center of screen, powered
	Horizontal	±29% (±19% with the ET-D75LE6), (-12-16% with the ET-D75LE90), from center of screen, powered
		NOTE: Optical axis shift function cannot be operated when used with the ET-D75LE50.
Installation		Ceiling/floor, front/rear
Terminals	SDI IN 1	BNC x1, 3G/HD/SD-SDI input, Dual-link input (LINK-A) , Quad-link input SD-SDI signal SMPTE ST 259 compliant HD-SDI signal SMPTE ST 292 compliant 3G-SDI signal SMPTE ST 424 compliant Dual-link HD-SDI signal SMPTE ST 372 compliant Dual-link 3G-SDI signal SMPTE ST 425 compliant Quad-link HD-SDI signal Quad-link 3G-SDI signal SMPTE ST 425 compliant
	SDI IN 2	BNC x1, 3G/HD/SD-SDI input, Dual-link input (LINK-B) , Quad-link input SD-SDI signal SMPTE ST 259 compliant HD-SDI signal SMPTE ST 292 compliant 3G-SDI signal SMPTE ST 424 compliant Dual-link HD-SDI signal SMPTE ST 372 compliant Dual-link 3G-SDI signal SMPTE ST 425 compliant Quad-link HD-SDI signal Quad-link 3G-SDI signal SMPTE ST 425 compliant
	SDI IN 3	BNC x1, 3G/HD/SD-SDI input, Dual-link input (LINK-A) , Quad-link input SD-SDI signal SMPTE ST 259 compliant HD-SDI signal SMPTE ST 292 compliant 3G-SDI signal SMPTE ST 424 compliant Dual-link HD-SDI signal SMPTE ST 372 compliant Dual-link 3G-SDI signal SMPTE ST 425 compliant Quad-link HD-SDI signal Quad-link 3G-SDI signal SMPTE ST 425 compliant
	SDI IN 4	BNC x1, 3G/HD/SD-SDI input, Dual-link input (LINK-B) , Quad-link input SD-SDI signal SMPTE ST 259 compliant HD-SDI signal SMPTE ST 292 compliant 3G-SDI signal SMPTE ST 424 compliant Dual-link HD-SDI signal SMPTE ST 372 compliant Dual-link 3G-SDI signal SMPTE ST 425 compliant Quad-link HD-SDI signal Quad-link 3G-SDI signal SMPTE ST 425 compliant
	Frame Sync IN/OUT	BNC x 1, (frame-synchronizing timing signal)
	Frame Sync OUT	BNC x 1, (frame-synchronizing timing signal)
	SERIAL IN	D-sub 9-pin (female) x 1 for external control (RS-232C compliant)
	SERIAL OUT	D-sub 9-pin (male) x 1 for link control
	REMOTE 1 IN/OUT	M3 x 1 for link control (for wired remote control)
	REMOTE 2 IN	D-sub 9-pin (female) x 1 for external control (parallel)
	DIGITAL LINK/LAN	RJ-45 x 1 (for network, DIGITAL LINK connection (HDBaseT™ compatible), 100Base-TX, compatible with Art-Net, PLink™ (class 1), Deep Color, HDCP2.2)
	Expansion Slot	x 2 (SLOT 1, SLOT 2), SLOT NX (Compatible with Optional Board)
Power cord length		3.0 m (9 ft 10 in)

Cabinet materials	Molded plastic
Dimensions (W × H × D):	578 × 323.5*6 × 740 mm (22-3/4 × 12-23/32*6 × 29-1/8 inches) (with projections) 578 × 270 × 725 mm (22-3/4 × 10-5/8 × 28-17/32 inches) (without lens, feet or projections)
Weight*7	49 kg (108.0 lbs) (without lens)
Operation noise*2	46 dB
Operating temperature	Ambient operating temperature: 0°C to 45°C (32 °F to 113 °F). Ambient operating humidity: 10% - 80% (no condensation) When the operating mode is set to "Normal", the operating temperature range is 0°C to 45°C (32 °F to 113 °F), and at altitudes from 1,400 m to 4,200 m (4,593 ft to 13,780 ft) it is 0°C to 40°C (32 °F to 104 °F). When the operating mode is set to "Eco", or "Long Life 1/2/3", the operating temperature range is 0°C to 40°C (32 °F to 104 °F). When the projector is used with a Smoke Cut Filter, the operating temperature range is 0°C to 35°C (32 °F to 95 °F). Furthermore, when the operating mode is set to "Eco", or "Long Life 1/2/3", the projector cannot be used at altitudes above 2700 m (8,858 ft). In addition, when the projector is used with a Smoke Cut Filter, it cannot be used at altitudes above 1,400 m (4,593 ft). The brightness of the light source may drop depending on the operating environment and the operating temperature range in order to protect the projector.
Applicable software	Logo Transfer Software, Multi Monitoring & Control Software, Early Warning Software, Geometry Manager Pro (ET-UK20 series Upgrade Kit and ET-CUK10 series Auto Screen Adjustment Kit)
Remote control unit	
Power supply	3 V DC (AA/R6 type battery × 2)
Operation range*8	Approx. 30 m (98 5 in) when operated from directly in front of the signal receptor
Dimensions (W × H × D)	47.5 × 181.5 × 27.5 mm (1-7/8 × 7-5/32 × 1-3/32 inches)
Weight	Approx. 150 g (5.3 oz) (including batteries)
Supplied accessories	
	Power cord (×1) (x2 for PT-RZ12KE) Wireless/wired remote control unit (× 1) Batteries for remote control (AA/R6 type × 2) Lens drop-prevention screw (× 1) Software CD-ROM (Logo Transfer Software, Multi Monitoring & Control Software) (× 1)

Weights and dimensions shown are approximate. Specifications and appearance are subject to change without notice.

*1 When the standby mode is set to eco, network functions such as power on over the LAN network will not operate, and the serial output terminal cannot be used. Also, only certain commands can be received for external control using the serial terminal.

*2 Measurement, measuring conditions, and method of notation all comply with ISO 21118 international standards.

*3 Not compatible with the optional TY-TBN03G 3G-SDI terminal board.

*4 When simultaneous-type video signals are being input, the "geometric distortion correction" function and the expansion functions available in the "Upgrade Kit" cannot be used.

*5 Only compatible with dot clock frequency of 27 MHz (pixel repetition signal)

*6 With legs at shortest position.

*7 Average value (excluding the optional lens). May differ depending on models.

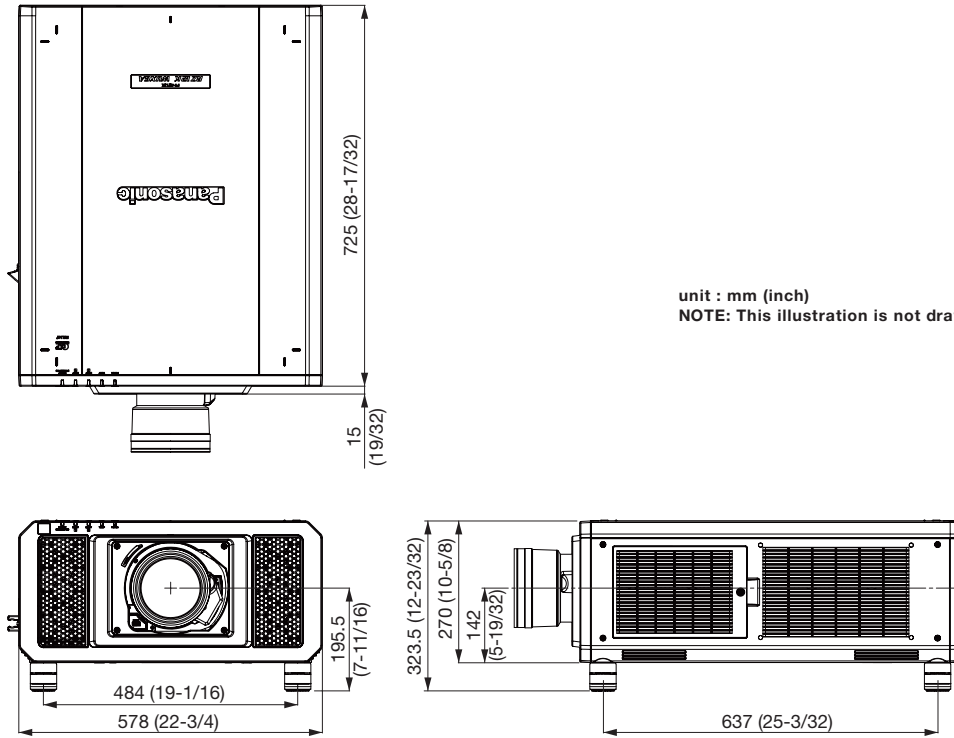
*8 Operation range differs depending on environments.

Optional accessories

Zoom lens (0.9–1.1:1)	ET-D75LE6	Zoom lens (1.3–1.7:1)	ET-D75LE10
Zoom lens (1.7–2.4:1)	ET-D75LE20	Zoom lens (2.4–4.7:1)	ET-D75LE30
Zoom lens (4.6–7.4:1)	ET-D75LE40	Zoom lens (7.3–13.8:1)	ET-D75LE8
Fixed-focus lens (0.7:1)	ET-D75LE50	Fixed-focus lens (0.36:1)	ET-D75LE90
Ceiling mount bracket (for high ceilings)	ET-PKD520H	Ceiling mount bracket (for low ceilings)	ET-PKD520S
Projector mount bracket	ET-PAD520B	Frame	ET-PFD510
Upgrade kit	ET-UK20 series	Auto sreen adjustment upgrade kit	ET-CUK10 series
Replacement filter unit	ET-EMF330		
Smoke cut filter	ET-SFD330	Smoke cut filter (Replacement)	ET-SFR330
DVI-D Input Board	ET-MDNDV10	HDMI Input Board	ET-MDNHM10
3G-SDI Input Board	TY-TBN03G*		

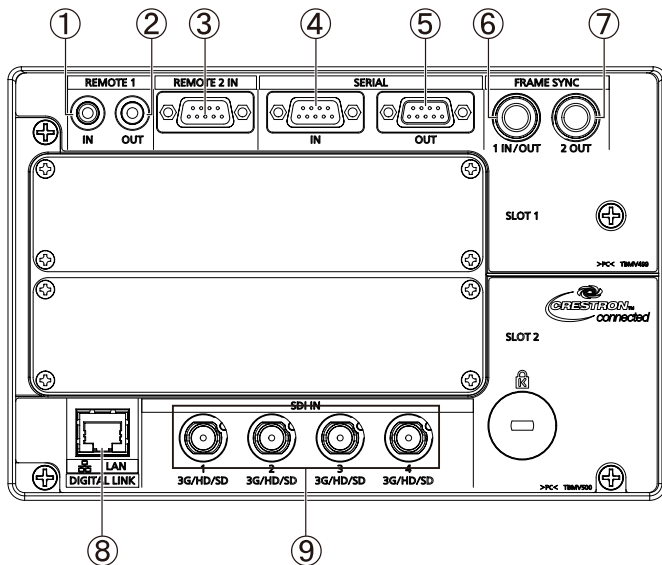
*When using the optional TY-TBN03G 3G-SDI terminal board, the firmware for the main projector unit and the software for the optional TY-TBN03G terminal board must be Ver. 2.0 or later (planned for release in February 2016). Contact your sales representative or dealer for details on upgrading to the latest firmware version.

Dimensions



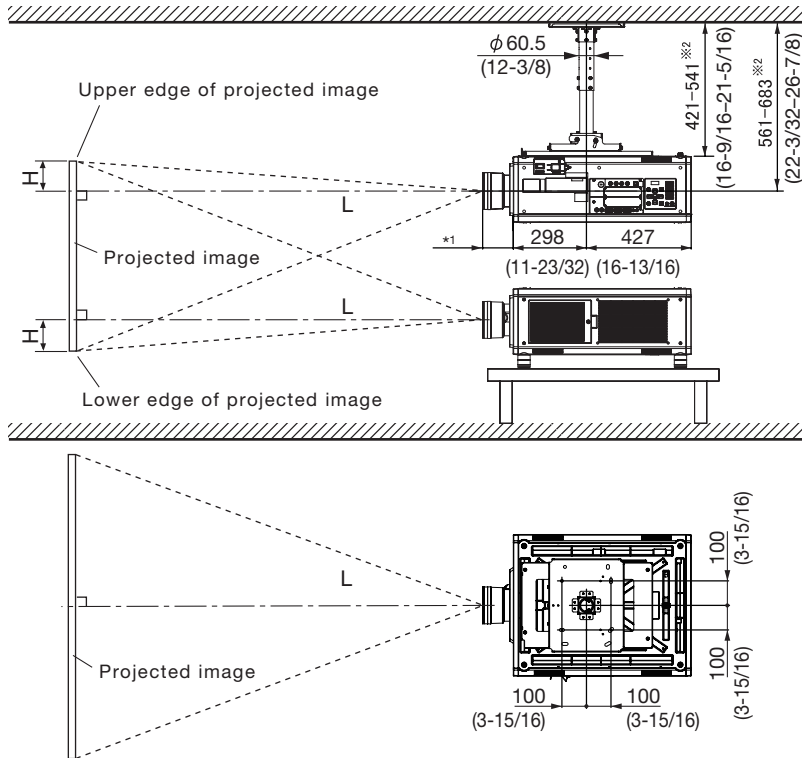
unit : mm (inch)
NOTE: This illustration is not drawn to scale.

Terminals



- 1 Remote 1 input
- 2 Remote 1 output
- 3 Remote 2 input
- 4 Serial input
- 5 Serial output
- 6 Frame sync1 input/output
- 7 Frame sync2 output
- 8 LAN/DIGITAL LINK connector
- 9 SDI input

Standard setting-up position



*1 When the lens protrudes to the maximum.
 212 mm (8-11/32) with the ET-D75LE6
 125 mm (4-29/32) with the ET-D75LE10
 121 mm (4-3/4) with the ET-D75LE20
 121 mm (4-3/4) with the ET-D75LE30
 124 mm (4-7/8) with the ET-D75LE40
 254 mm (10) with the ET-D75LE8
 203 mm (8) with the ET-D75LE50

*2 Adjustable in 40 mm (1-9/16) steps.

unit : mm (inch)

NOTE:

Illustrations show the projector installed using optional ceiling mount bracket ET-PKD520H/ET-PKD520B and an optional lens. This illustration is not drawn to scale.

If the ET-D75LE90 is attached, refer to the projection system dimension drawing and the projection distance table for ET-D75LE90 specifications.

Caution:

- All construction work should be done by a qualified technician.
- When mounting to the ceiling, use the special mounting bracket. Furthermore, in order to prevent it from falling down from the ceiling, use the supplied wire on the mounting bracket.

Projection distance for 16:10 aspect ratio screen
(ET-D75LE6/D75LE10/D75LE20/D75LE30/D75LE40/D75LE8/D75LE50)

Unit: meters

Screen size (diagonal)	Distance to screen (L)												Height from the edge of screen to center of lens (H)					
	Zoom											Fixed-focus	Zoom lenses		Fixed-focus lens			
	ET-D75LE6 Zoom lens		ET-D75LE10 Zoom lens		ET-D75LE20 Zoom lens		ET-D75LE30 Zoom lens		ET-D75LE40 Zoom lens		ET-D75LE8 Zoom lens		ET-D75LE50 Fixed-focus lens	Except ET-D75LE6		ET-D75LE6		
[m] / [in]	min.	max.	min.	max.	min.	max.	min.	max.	min.	max.	min.	max.						
1.78 / 70	1.46	1.75	2.05	2.65	2.64	3.85	3.82	7.45	7.37	11.85	11.65	22.20	1.09	-0.08	-1.03	-0.06	-1.00	0.47
2.03 / 80	1.68	2.01	2.35	3.04	3.03	4.41	4.38	8.54	8.45	13.56	13.37	25.42	1.25	-0.10	-1.17	-0.06	-1.14	0.54
2.29 / 90	1.90	2.27	2.65	3.43	3.42	4.98	4.94	9.63	9.52	15.28	15.09	28.64	1.42	-0.11	-1.32	-0.07	-1.28	0.61
2.54 / 100	2.11	2.53	2.96	3.83	3.81	5.54	5.51	10.72	10.60	16.99	16.81	31.86	1.58	-0.12	-1.47	-0.08	-1.43	0.67
3.05 / 120	2.55	3.05	3.57	4.61	4.59	6.67	6.63	12.90	12.75	20.42	20.25	38.31	1.91	-0.15	-1.76	-0.10	-1.71	0.81
3.81 / 150	3.20	3.83	4.48	5.79	5.76	8.37	8.32	16.17	15.98	25.57	25.41	47.97	2.41	-0.18	-2.20	-0.12	-2.14	1.01
5.08 / 200	4.29	5.13	6.00	7.76	7.71	11.20	11.12	21.62	21.36	34.14	34.01	64.08	3.23	-0.24	-2.93	-0.16	-2.85	1.35
6.35 / 250	5.37	6.43	7.52	9.73	9.65	14.03	13.93	27.07	26.74	42.72	42.61	80.19	4.06	-0.30	-3.67	-0.20	-3.57	1.68
7.62 / 300	6.46	7.73	9.05	11.70	11.60	16.86	16.74	32.51	32.12	51.30	51.21	96.31	4.89	-0.36	-4.40	-0.24	-4.28	2.02
8.89 / 350	7.54	9.03	10.57	13.66	13.55	19.69	19.55	37.96	37.50	59.87	59.81	112.42	5.71	-0.42	-5.14	-0.28	-4.99	2.36
10.16 / 400	8.63	10.33	12.09	15.63	15.50	22.52	22.36	43.41	42.88	68.45	68.40	128.53	6.54	-0.48	-5.87	-0.32	-5.71	2.69
12.70 / 500	10.80	12.93	15.13	19.56	19.39	28.18	27.98	54.31	53.63	85.60	85.60	160.75	8.19	-0.61	-7.34	-0.40	-7.13	3.37
15.24 / 600	12.97	15.53	18.18	23.50	23.29	33.84	33.60	65.21	64.39	102.75	102.80	192.97	9.84	-0.73	-8.80	-0.48	-8.56	4.04
25.40 / 1000	21.66	25.94	30.35	39.24	38.86	56.48	56.08	108.79	107.43	171.36	171.59	-	16.45	-1.21	-14.67	-0.81	-14.27	6.73

Unit: feet

Screen size (diagonal)	Distance to screen (L)												Height from the edge of screen to center of lens (H)					
	Zoom											Fixed-focus	Zoom lenses		Fixed-focus lens			
	ET-D75LE6 Zoom lens		ET-D75LE10 Zoom lens		ET-D75LE20 Zoom lens		ET-D75LE30 Zoom lens		ET-D75LE40 Zoom lens		ET-D75LE8 Zoom lens		ET-D75LE50 Fixed-focus lens	Except ET-D75LE6		ET-D75LE6		
[m] / [in]	min.	max.	min.	max.	min.	max.	min.	max.	min.	max.	min.	max.						
1.78 / 70	4.8	5.7	6.7	8.7	8.7	12.6	12.5	24.4	24.2	38.9	38.2	72.8	3.6	-0.3	3.4	-0.2	3.3	1.5
2.03 / 80	5.5	6.6	7.7	10.0	9.9	14.5	14.4	28.0	27.7	44.5	43.9	83.4	4.1	-0.3	3.9	-0.2	3.7	1.8
2.29 / 90	6.2	7.4	8.7	11.3	11.2	16.3	16.2	31.6	31.2	50.1	49.5	94.0	4.6	-0.4	4.3	-0.2	4.2	2.0
2.54 / 100	6.9	8.3	9.7	12.6	12.5	18.2	18.1	35.2	34.8	55.7	55.2	104.5	5.2	-0.4	4.8	-0.3	4.7	2.2
3.05 / 120	8.4	10.0	11.7	15.1	15.1	21.9	21.8	42.3	41.8	67.0	66.4	125.7	6.3	-0.5	5.8	-0.3	5.6	2.7
3.81 / 150	10.5	12.6	14.7	19.0	18.9	27.5	27.3	53.0	52.4	83.9	83.4	157.4	7.9	-0.6	7.2	-0.4	7.0	3.3
5.08 / 200	14.1	16.8	19.7	25.5	25.3	36.8	36.5	70.9	70.1	112.0	111.6	210.2	10.6	-0.8	9.6	-0.5	9.4	4.4
6.35 / 250	17.6	21.1	24.7	31.9	31.7	46.0	45.7	88.8	87.7	140.2	139.8	263.1	13.3	-1.0	12.0	-0.7	11.7	5.5
7.62 / 300	21.2	25.4	29.7	38.4	38.1	55.3	54.9	106.7	105.4	168.3	168.0	316.0	16.0	-1.2	14.4	-0.8	14.0	6.6
8.89 / 350	24.7	29.6	34.7	44.8	44.5	64.6	64.1	124.6	123.0	196.4	196.2	368.8	18.7	-1.4	16.8	-0.9	16.4	7.7
10.16 / 400	28.3	33.9	39.7	51.3	50.8	73.9	73.4	142.4	140.7	224.6	224.4	421.7	21.5	-1.6	19.3	-1.1	18.7	8.8
12.70 / 500	35.4	42.4	49.7	64.2	63.6	92.5	91.8	178.2	176.0	280.8	280.8	527.4	26.9	-2.0	24.1	-1.3	23.4	11.1
15.24 / 600	42.6	51.0	59.6	77.1	76.4	111.0	110.2	213.9	211.3	337.1	337.3	633.1	32.3	-2.4	28.9	-1.6	28.1	13.3
25.40 / 1000	71.1	85.1	99.6	128.7	127.5	185.3	184.0	356.9	352.4	562.2	563.0	-	54.0	-4.0	48.1	-2.6	46.8	22.1

- The value for L (distance to screen) varies slightly within ±5% depending on the zoom lens characteristics.
- At the shortest projection distance, the zoom lens characteristics may cause slight image distortion.
- When vertical keystone correction is used, the image is corrected in the direction that reduces its projected size.

NOTE: When the ET-D75LE50 is mounted, the optical lens shift function cannot be used.

Projection distance for 16:9 aspect ratio screen

(ET-D75LE6/D75LE10/D75LE20/D75LE30/D75LE40/D75LE8/D75LE50)

Unit: meters

Screen size (diagonal)	Distance to screen (L)												Height from the edge of screen to center of lens (H)					
	Zoom											Fixed-focus	Zoom lenses		Fixed-focus lens			
	ET-D75LE6 Zoom lens		ET-D75LE10 Zoom lens		ET-D75LE20 Zoom lens		ET-D75LE30 Zoom lens		ET-D75LE40 Zoom lens		ET-D75LE8 Zoom lens		ET-D75LE50 Fixed-focus lens	Except ET-D75LE6		ET-D75LE6		
[m] / [in]	min.	max.	min.	max.	min.	max.	min.	max.	min.	max.	min.	max.	min.	max.	min.	max.	min.	max.
1.78 / 70	1.51	1.80	2.10	2.72	3.96	3.93	7.66	7.58	12.18	11.99	22.82	1.12	-0.14	1.01	0	0.87	0.44	
2.03 / 80	1.73	2.07	2.42	3.13	3.12	4.54	4.51	8.78	8.69	13.94	13.75	26.13	1.29	-0.16	1.16	0	1.00	0.50
2.29 / 90	1.95	2.33	2.73	3.53	3.52	5.12	5.08	9.90	9.79	15.70	15.52	29.45	1.46	-0.18	1.30	0	1.12	0.56
2.54 / 100	2.18	2.60	3.04	3.94	3.92	5.70	5.66	11.02	10.90	17.47	17.29	32.76	1.63	-0.20	1.44	0	1.25	0.62
3.05 / 120	2.62	3.13	3.67	4.74	4.72	6.86	6.82	13.26	13.11	20.99	20.82	39.38	1.97	-0.24	1.73	0	1.49	0.75
3.81 / 150	3.29	3.94	4.61	5.96	5.92	8.61	8.55	16.62	16.43	26.28	26.13	49.32	2.48	-0.30	2.17	0	1.87	0.93
5.08 / 200	4.41	5.27	6.17	7.98	7.92	11.52	11.44	22.22	21.96	35.10	34.97	65.88	3.33	-0.40	2.89	0	2.49	1.25
6.35 / 250	5.52	6.61	7.74	10.00	9.92	14.43	14.32	27.82	27.49	43.91	43.80	82.43	4.17	-0.50	3.61	0	3.11	1.56
7.62 / 300	6.64	7.95	9.30	12.02	11.93	17.33	17.21	33.42	33.01	52.73	52.64	98.99	5.02	-0.60	4.33	0	3.74	1.87
8.89 / 350	7.75	9.28	10.86	14.05	13.93	20.24	20.10	39.02	38.54	61.54	61.48	115.55	5.87	-0.70	5.06	0	4.36	2.18
10.16 / 400	8.87	10.62	12.43	16.07	15.93	23.15	22.99	44.62	44.07	70.36	70.32	132.11	6.72	-0.80	5.78	0	4.98	2.49
12.70 / 500	11.10	13.30	15.56	20.11	19.93	28.97	28.76	55.82	55.13	87.98	87.99	165.23	8.42	-1.00	7.22	0	6.23	3.11
15.24 / 600	13.33	15.97	18.69	24.16	23.94	34.78	34.54	67.02	66.19	105.61	105.67	198.35	10.12	-1.20	8.67	0	7.47	3.74
25.40 / 1000	22.26	26.66	31.20	40.33	39.95	58.05	57.64	111.82	110.42	176.13	176.37	-	16.91	-1.99	14.45	0	12.45	6.23

Unit: feet

Screen size (diagonal)	Distance to screen (L)												Height from the edge of screen to center of lens (H)					
	Zoom											Fixed-focus	Zoom lenses		Fixed-focus lens			
	ET-D75LE6 Zoom lens		ET-D75LE10 Zoom lens		ET-D75LE20 Zoom lens		ET-D75LE30 Zoom lens		ET-D75LE40 Zoom lens		ET-D75LE8 Zoom lens		ET-D75LE50 Fixed-focus lens	Except ET-D75LE6		ET-D75LE6		
[m] / [in]	min.	max.	min.	max.	min.	max.	min.	max.	min.	max.	min.	max.	min.	max.	min.	max.	min.	max.
1.78 / 70	4.9	5.9	6.9	8.9	8.9	13.0	12.9	25.1	24.9	40.0	39.3	74.9	3.7	-0.5	3.3	0	2.9	1.4
2.03 / 80	5.7	6.8	7.9	10.3	10.2	14.9	14.8	28.8	28.5	45.7	45.1	85.7	4.2	-0.5	3.8	0	3.3	1.6
2.29 / 90	6.4	7.7	9.0	11.6	11.5	16.8	16.7	32.5	32.1	51.5	50.9	96.6	4.8	-0.6	4.3	0	3.7	1.8
2.54 / 100	7.1	8.5	10.0	12.9	12.9	18.7	18.6	36.2	35.8	57.3	56.7	107.5	5.3	-0.7	4.7	0	4.1	2.0
3.05 / 120	8.6	10.3	12.0	15.6	15.5	22.5	22.4	43.5	43.0	68.9	68.3	129.2	6.5	-0.8	5.7	0	4.9	2.5
3.81 / 150	10.8	12.9	15.1	19.5	19.4	28.2	28.0	54.5	53.9	86.2	85.7	161.8	8.1	-1.0	7.1	0	6.1	3.1
5.08 / 200	14.5	17.3	20.2	26.2	26.0	37.8	37.5	72.9	72.0	115.1	114.7	216.1	10.9	-1.3	9.5	0	8.2	4.1
6.35 / 250	18.1	21.7	25.4	32.8	32.6	47.3	47.0	91.3	90.2	144.1	143.7	270.5	13.7	-1.6	11.8	0	10.2	5.1
7.62 / 300	21.8	26.1	30.5	39.4	39.1	56.9	56.5	109.7	108.3	173.0	172.7	324.8	16.5	-2.0	14.2	0	12.3	6.1
8.89 / 350	25.4	30.5	35.6	46.1	45.7	66.4	65.9	128.0	126.5	201.9	201.7	379.1	19.3	-2.3	16.6	0	14.3	7.2
10.16 / 400	29.1	34.8	40.8	52.7	52.3	76.0	75.4	146.4	144.6	230.8	230.7	433.4	22.1	-2.6	19.0	0	16.3	8.2
12.70 / 500	36.4	43.6	51.0	66.0	65.4	95.0	94.4	183.1	180.9	288.7	288.7	542.1	27.6	-3.3	23.7	0	20.4	10.2
15.24 / 600	43.7	52.4	61.3	79.2	78.5	114.1	113.3	219.9	217.2	346.5	346.7	650.7	33.2	-3.9	28.4	0	24.5	12.3
25.40 / 1000	73.0	87.5	102.4	132.3	131.1	190.5	189.1	366.9	362.3	577.9	578.6	-	55.5	-6.5	47.4	0	40.9	20.4

- The value for L (distance to screen) varies slightly within ±5% depending on the zoom lens characteristics.
- At the shortest projection distance, the zoom lens characteristics may cause slight image distortion.
- When vertical keystone correction is used, the image is corrected in the direction that reduces its projected size.

NOTE: When the ET-D75LE50 is mounted, the optical lens shift function cannot be used.

Calculation of the projection distance

For a screen size different from the above, use the equation below to calculate the projection distance.

Aspect ratio 16:10**Zoom lenses**

ET-D75LE6	minimum	$L (m) = (\text{diagonal screen size in inches}) \times 0.0217 - 0.0566$
	maximum	$L (m) = (\text{diagonal screen size in inches}) \times 0.0260 - 0.0736$
ET-D75LE10	minimum	$L (m) = (\text{diagonal screen size in inches}) \times 0.0304 - 0.0857$
	maximum	$L (m) = (\text{diagonal screen size in inches}) \times 0.0393 - 0.1085$
ET-D75LE20	minimum	$L (m) = (\text{diagonal screen size in inches}) \times 0.0389 - 0.0832$
	maximum	$L (m) = (\text{diagonal screen size in inches}) \times 0.0566 - 0.1162$
ET-D75LE30	minimum	$L (m) = (\text{diagonal screen size in inches}) \times 0.0562 - 0.1131$
	maximum	$L (m) = (\text{diagonal screen size in inches}) \times 0.1090 - 0.1765$
ET-D75LE40	minimum	$L (m) = (\text{diagonal screen size in inches}) \times 0.1076 - 0.1577$
	maximum	$L (m) = (\text{diagonal screen size in inches}) \times 0.1715 - 0.1615$
ET-D75LE8	minimum	$L (m) = (\text{diagonal screen size in inches}) \times 0.1720 - 0.3862$
	maximum	$L (m) = (\text{diagonal screen size in inches}) \times 0.3222 - 0.3598$

Fixed-focus lens

ET-D75LE50	$L (m) = (\text{diagonal screen size in inches}) \times 0.0165 - 0.0713$
------------	--

Aspect ratio 16:9**Zoom lenses**

ET-D75LE6	minimum	$L (m) = (\text{diagonal screen size in inches}) \times 0.0223 - 0.0566$
	maximum	$L (m) = (\text{diagonal screen size in inches}) \times 0.0267 - 0.0736$
ET-D75LE10	minimum	$L (m) = (\text{diagonal screen size in inches}) \times 0.0313 - 0.0857$
	maximum	$L (m) = (\text{diagonal screen size in inches}) \times 0.0404 - 0.1085$
ET-D75LE20	minimum	$L (m) = (\text{diagonal screen size in inches}) \times 0.0400 - 0.0832$
	maximum	$L (m) = (\text{diagonal screen size in inches}) \times 0.0582 - 0.1162$
ET-D75LE30	minimum	$L (m) = (\text{diagonal screen size in inches}) \times 0.0578 - 0.1131$
	maximum	$L (m) = (\text{diagonal screen size in inches}) \times 0.1120 - 0.1765$
ET-D75LE40	minimum	$L (m) = (\text{diagonal screen size in inches}) \times 0.1106 - 0.1577$
	maximum	$L (m) = (\text{diagonal screen size in inches}) \times 0.1763 - 0.1615$
ET-D75LE8	minimum	$L (m) = (\text{diagonal screen size in inches}) \times 0.1768 - 0.3862$
	maximum	$L (m) = (\text{diagonal screen size in inches}) \times 0.3312 - 0.3598$

Fixed-focus lens

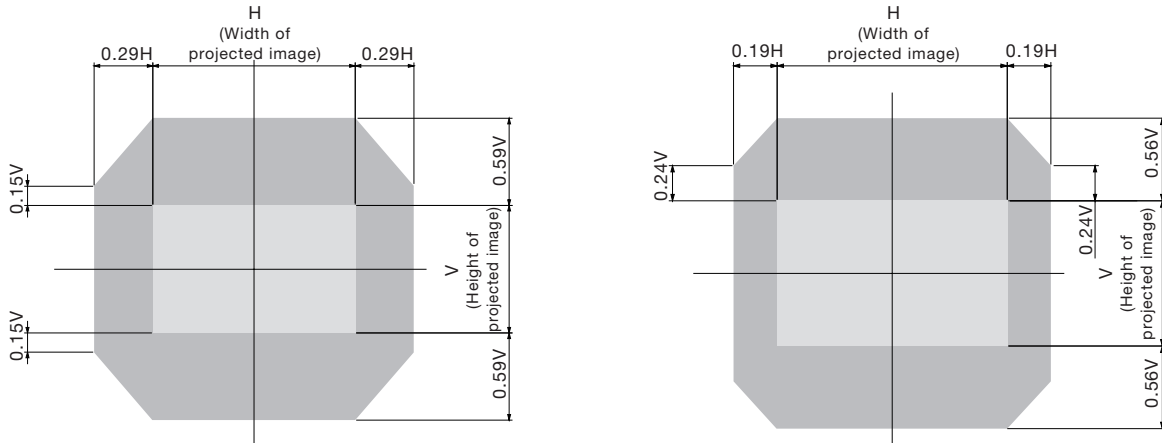
ET-D75LE50	$L (m) = (\text{diagonal screen size in inches}) \times 0.0170 - 0.0713$
------------	--

- Distances calculated with the above equations will include slight deviations.

Shift range

Optical axis shift function allows to shift the position of a projected image as shown below.

- When the lens except the ET-D75LE6 is mounted
- When the ET-D75LE6 is mounted

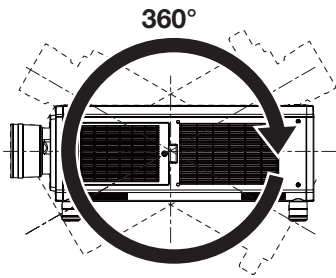


NOTE: Because the ET-D75LE50 is a fixed short-throw lens, the lens shift function cannot be used with it.

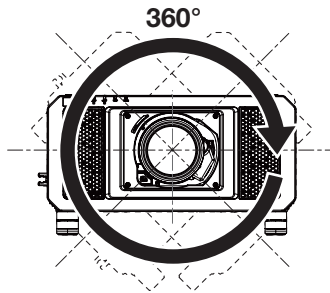
Installable angle

Install the projector at an angle within the range shown below.

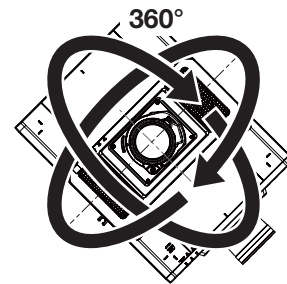
FULL 360-degree projection



Vertical 360-deg.



Horizontal 360-deg.



**Tilting 360-deg.
(V&H combination)**

List of compatible signals

The following table specifies the video signals compatible with the projector.

• The content of the compatible signal column is as follows.

- 1. Single link (displays one image using one input signal.)
- 2. Dual link (displays one image using two input signal.)
- 3. Quad link (displays one image using four input signal.)

Signal format	Resolution (Dots)	Scanning freq.			Dot clock freq. (MHz)	SDI*1			Compatible signal			DVI-D*3		
		H (KHz)	V (Hz)			1	2	3	DIGITAL LINK	HDMI*2	1	2	3	
480i	712 483i	15.7	59.9	13.5	✓	-	-	-	-	-	-	-	-	-
576i	702x575i	15.6	50.0	13.5	✓	-	-	-	-	-	-	-	-	-
480i	720(1440)x480i*4	15.7	59.9	27.0	-	-	-	✓	✓	-	-	✓	-	-
576i	720(1440)x576i	15.6	50.0	27.0	-	-	-	✓	✓	-	-	✓	-	-
480p	720x480	31.5	59.9	27.0	-	-	-	✓	✓	-	-	✓	-	-
576p	720x576	31.3	50.0	27.0	-	-	-	✓	✓	-	-	✓	-	-
720/60p	1280x720	45.0	60.0	74.3	✓	-	-	✓	✓	-	-	✓	-	-
720/50p	1280x720	37.5	50.0	74.3	✓	-	-	✓	✓	-	-	✓	-	-
1080/60i	1920x1080i	33.8	60.0	74.3	✓	✓*5	-	✓	✓	-	-	✓	-	-
1080/50i	1920x1080i	28.1	50.0	74.3	✓	✓*5	-	✓	✓	-	-	✓	-	-
1080/24p	1920x1080i	27.0	24.0	74.3	✓	✓*5	-	✓	✓	-	-	✓	-	-
1080/24sF	1920x1080i	27.0	48.0	74.3	✓	✓*5	-	✓	✓	-	-	✓	-	-
1080/25p	1920x1080i	28.1	25.0	74.3	✓	✓*5	-	✓	✓	-	-	✓	-	-
1080/25sF	1920x1080i	28.1	50.0	74.3	✓	✓*5	-	-	-	-	-	-	-	-
1080/30p	1920x1080i	33.8	30.0	74.3	✓	✓*5	-	✓	✓	-	-	✓	-	-
1080/30sF	1920x1080i	33.8	60.0	74.3	✓	✓*5	-	-	-	-	-	-	-	-
1080/60p	1920x1080i	67.5	60.0	148.5	✓	✓*5*6	-	✓	✓	-	-	✓	-	-
1080/50p	1920x1080i	56.3	50.0	148.5	✓	✓*5*6	-	✓	✓	-	-	✓	-	-
2K/24p	2048x1080	27.0	24.0	74.3	✓	✓*5	-	-	✓	-	-	✓	-	-
2K/24sF	2048x1080	27.0	48.0	74.3	✓	✓*5	-	-	-	-	-	-	-	-
2K/25p	2048x1080	28.1	25.0	74.3	✓	✓*5	-	✓	✓	-	-	✓	-	-
2K/25sF	2048x1080	28.1	50.0	74.3	✓	✓*5	-	-	-	-	-	-	-	-
2K/30p	2048x1080	33.8	30.0	74.3	✓	✓*5	-	✓	✓	-	-	✓	-	-
2K/30sF	2048x1080	33.8	60.0	74.3	✓	✓*5	-	-	-	-	-	-	-	-
2K/48p	2048x1080	54.0	48.0	148.5	✓*7	✓*6*7	-	✓	✓	-	-	✓	-	-
2K60p	2048x1080	67.5	60.0	148.5	✓	✓*6	-	✓	✓	-	-	✓	-	-
2K50p	2048x1080	56.3	50.0	148.5	✓	✓*6	-	✓	✓	-	-	✓	-	-
3840x2160/24p	3840x2160	54.0	24.0	279.0	-	✓*6	✓*8*9	✓	✓	✓	✓	-	✓	✓
3840x2160/24sF	3840x2160i	54.0	48.0	279.0	-	-	✓*8*9	-	-	-	-	-	-	-
3840x2160/25p	3840x2160	56.3	25.0	279.0	-	✓*6	✓*8*9	✓	✓	✓	✓	-	✓	✓
3840x2160/25sF	3840x2160i	56.3	50.0	279.0	-	-	✓*8*9	-	-	-	-	-	-	-
3840x2160/30p	3840x2160	67.5	30.0	279.0	-	✓*6	✓*8*9	✓	✓	✓	✓	-	✓	✓
3840x2160/30sF	3840x2160i	67.5	60.0	279.0	-	-	✓*8*9	-	-	-	-	-	-	-
3840x2160/60p	3840x2160	135.0	60.0	279.0	-	-	-	✓*10	✓*10	-	-	-	-	-
	3840x2160	135.0	60.0	594.0	-	-	✓*9	-	-	✓	✓	-	✓	✓
3840x2160/50p	3840x2160	112.5	50.0	297.0	-	-	-	✓*10	✓*10	-	-	-	-	-
	3840x2160	112.5	50.0	594.0	-	-	✓*9	-	-	✓	✓	-	✓	✓
3840x2400/60p	3840x2400	74.0	60.0	616.0	-	-	-	-	-	-	-	✓	-	✓
3840x2400/50p	3840x2400	61.8	49.9	633.0	-	-	-	-	-	-	-	✓	-	✓
4096x2160/24p	4096x2160	54.0	24.0	297.0	-	✓*6	✓*8*9	✓	✓	✓	✓	-	✓	✓
4096x2160/24sF	4096x2160i	54.0	48.0	297.0	-	✓*7	✓*7*8*9	-	-	-	-	-	-	-
4096x2160/25p	4096x2160	56.3	25.0	297.0	-	✓*6	✓*8*9	✓	✓	✓	✓	-	✓	✓
4096x2160/25sF	4096x2160i	56.3	50.0	297.0	-	✓*7	✓*7*8*9	-	-	-	-	-	-	-
4096x2160/30p	4096x2160	67.5	30.0	297.0	-	✓*6	✓*8*9	✓	✓	✓	✓	-	✓	✓
4096x2160/30sF	4096x2160i	67.5	60.0	297.0	-	✓*7	✓*7*8*9	-	-	-	-	-	-	-
4096x2160/60p	4096x2160	135.0	60.0	297.0	-	-	-	✓*10	✓*10	-	-	-	-	-
	4096x2160	135.0	60.0	594.0	-	-	✓*9	-	-	✓	✓	-	-	✓
4096x2160/50p	4096x2160	112.5	50.0	297.0	-	-	-	✓*10	✓*10	-	-	-	-	-
	4096x2160	112.5	50.0	594.0	-	-	✓*9	-	-	✓	✓	-	-	✓

The following table specifies the video signals compatible with the projector.

- The content of the compatible signal column is as follows.
- 1.Single link (displays one image using one input signal.)
- 2.Dual link (displays one image using two input signal.)
- 3.Quad link (displays one image using four input signal.)

Signal format	Resolution (Dots)	Scanning freq.			Dot clock freq. (MHz)	SDI*1			Compatible signal			DVI-D*3		
		H (KHz)	V (Hz)			1	2	3	DIGITAL LINK	HDMI*2			1	2
640x400/70	640x400	31.5	70.1	25.2	-	-	-	✓	✓	-	-	✓	-	-
640x400/85	640x400	37.9	85.1	31.5	-	-	-	✓	✓	-	-	✓	-	-
640x480/60	640x480	31.5	59.9	25.2	-	-	-	✓	✓	-	-	✓	-	-
640x480/67	640x480	35.0	66.7	30.2	-	-	-	✓	✓	-	-	✓	-	-
640x480/73	640x480	37.9	72.8	31.5	-	-	-	✓	✓	-	-	✓	-	-
640x480/75	640x480	37.5	75.0	31.5	-	-	-	✓	✓	-	-	✓	-	-
640x480/85	640x480	43.3	85.0	36.0	-	-	-	✓	✓	-	-	✓	-	-
800x600/56	800x600	35.2	56.3	36.0	-	-	-	✓	✓	-	-	✓	-	-
800x600/60	800x600	37.9	60.3	40.0	-	-	-	✓	✓	-	-	✓	-	-
800x600/72	800x600	48.1	72.2	50.0	-	-	-	✓	✓	-	-	✓	-	-
800x600/75	800x600	46.9	75.0	49.5	-	-	-	✓	✓	-	-	✓	-	-
800x600/85	800x600	53.7	85.1	56.3	-	-	-	✓	✓	-	-	✓	-	-
832x624/75	832x624	49.7	74.6	57.3	-	-	-	✓	✓	-	-	✓	-	-
1024x768/50	1024x768	39.6	50.0	51.9	-	-	-	✓	✓	-	-	✓	-	-
1024x768/60	1024x768	48.4	60.0	65.0	-	-	-	✓	✓	-	-	✓	-	-
1024x768/70	1024x768	56.5	70.1	75.0	-	-	-	✓	✓	-	-	✓	-	-
1024x768/75	1024x768	60.0	75.0	78.8	-	-	-	✓	✓	-	-	✓	-	-
1024x768/82	1024x768	65.5	81.6	86.0	-	-	-	✓	✓	-	-	✓	-	-
1024x768/85	1024x768	68.7	85.0	94.5	-	-	-	✓	✓	-	-	✓	-	-
1024x768/100	1024x768	81.4	100.0	113.3	-	-	-	✓	✓	-	-	✓	-	-
1024x768/120	1024x768	98.7	120.0	139.1	-	-	-	✓	✓	-	-	✓	-	-
1152x864/60	1152x864	53.7	60.0	81.6	-	-	-	✓	✓	-	-	✓	-	-
1152x864/70	1152x864	64.0	70.0	94.2	-	-	-	✓	✓	-	-	✓	-	-
1152x864/75	1152x864	67.5	75.0	108.0	-	-	-	✓	✓	-	-	✓	-	-
1152x864/85	1152x864	77.1	85.0	119.7	-	-	-	✓	✓	-	-	✓	-	-
1152x870/75	1152x870	68.7	75.1	100.0	-	-	-	✓	✓	-	-	✓	-	-
1280x720/50	1280x720	37.1	49.8	60.5	-	-	-	✓	✓	-	-	✓	-	-
1280x720/60	1280x720	44.8	59.9	74.5	-	-	-	✓	✓	-	-	✓	-	-
1280x720/100	1280x720	76.3	100.0	131.8	-	-	-	✓	✓	-	-	✓	-	-
1280x720/120	1280x720	92.6	120.0	161.6	-	-	-	✓	✓	-	-	✓	-	-
1280x768/50	1280x768	39.6	49.9	65.3	-	-	-	✓	✓	-	-	✓	-	-
1280x768/60	1280x768	47.8	59.9	79.5	-	-	-	✓	✓	-	-	✓	-	-
	1280x768*11	47.4	60.0	68.3	-	-	-	✓	✓	-	-	✓	-	-
1280x768/75	1280x768	60.3	74.9	102.3	-	-	-	✓	✓	-	-	✓	-	-
1280x768/85	1280x768	68.6	84.8	117.5	-	-	-	✓	✓	-	-	✓	-	-
1280x800/50	1280x800	41.3	50.0	68.0	-	-	-	✓	✓	-	-	✓	-	-
1280x800/60	1280x800	49.7	59.8	83.5	-	-	-	✓	✓	-	-	✓	-	-
	1280x800*11	49.3	59.9	71.0	-	-	-	✓	✓	-	-	✓	-	-
1280x800/75	1280x800	62.8	74.9	106.5	-	-	-	✓	✓	-	-	✓	-	-
1280x800/85	1280x800	71.6	84.9	122.5	-	-	-	✓	✓	-	-	✓	-	-
1280x960/60	1280x960	60.0	60.0	108.0	-	-	-	✓	✓	-	-	✓	-	-
1280x1024/50	1280x1024	52.4	50.0	88.0	-	-	-	✓	✓	-	-	✓	-	-
1280x1024/60	1280x1024	64.0	60.0	108.0	-	-	-	✓	✓	-	-	✓	-	-
1280x1024/66	1280x1024	72.3	66.3	125.0	-	-	-	✓	✓	-	-	✓	-	-
1280x1024/72	1280x1024	78.2	72.0	135.1	-	-	-	✓	✓	-	-	✓	-	-
1280x1024/75	1280x1024	80.0	75.0	135.0	-	-	-	✓	✓	-	-	✓	-	-
1280x1024/85	1280x1024	91.1	85.0	157.5	-	-	-	✓	✓	-	-	✓	-	-
1366x768/50	1366x768	39.6	49.9	69.0	-	-	-	✓	✓	-	-	✓	-	-
1366x768/60	1366x768	47.7	59.8	85.5	-	-	-	✓	✓	-	-	✓	-	-

The following table specifies the video signals compatible with the projector.

- The content of the compatible signal column is as follows.
 - 1.Single link (displays one image using one input signal.)
 - 2.Dual link (displays one image using two input signal.)
 - 3.Quad link (displays one image using four input signal.)

Signal format	Resolution (Dots)	Scanning freq.			Dot clock freq. (MHz)	Compatible signal								
		H (KHz)	V (Hz)			SDI*1			DIGITAL LINK	HDMI*2			DVI-D*3	
					1	2	3		1	2	3	1	2	3
1400x1050/50	1400x1050	54.1	50.0	99.9	-	-	-	✓	✓	-	-	✓	-	-
	1400x1050	64.0	60.0	108.0	-	-	-	✓	✓	-	-	✓	-	-
1400x1050/60	1400x1050	65.3	60.0	121.8	-	-	-	✓	✓	-	-	✓	-	-
	1400x1050	65.2	60.0	122.6	-	-	-	✓	✓	-	-	✓	-	-
1400x1050/72	1400x1050	78.8	72.0	149.3	-	-	-	✓	✓	-	-	✓	-	-
1400x1050/75	1400x1050	82.2	75.0	155.9	-	-	-	✓	✓	-	-	✓	-	-
1440x900/50	1440x900	46.3	49.9	86.8	-	-	-	✓	✓	-	-	✓	-	-
1440x900/60	1440x900	55.9	59.9	106.5	-	-	-	✓	✓	-	-	✓	-	-
1600x900/50	1600x900	46.4	49.9	96.5	-	-	-	✓	✓	-	-	✓	-	-
1600x900/60	1600x900	55.9	60.0	119.0	-	-	-	✓	✓	-	-	✓	-	-
1600x1200/50	1600x1200	61.8	49.9	131.5	-	-	-	✓	✓	-	-	✓	-	-
1600x1200/60	1600x1200	75.0	60.0	162.0	-	-	-	✓	✓	-	-	✓	-	-
1680x1050/50	1680x1050	54.1	50.0	119.5	-	-	-	✓	✓	-	-	✓	-	-
1680x1050/60	1680x1050	65.3	60.0	146.3	-	-	-	✓	✓	-	-	✓	-	-
1920x1080/50	1920x1080	55.6	49.9	141.5	-	-	-	✓	✓	-	-	✓	-	-
1920x1080/60	1920x1080*11	66.6	59.9	138.5	-	-	-	✓	✓	-	-	✓	-	-
	1920x1080	67.2	60.0	173.0	-	-	-	✓	✓	-	-	-	-	-
1920x1200/50	1920x1200	61.8	49.9	158.3	-	-	-	✓	✓	-	-	✓	-	-
1920x1200/60	1920x1200	74.6	59.9	193.3	-	-	-	✓	✓	-	-	-	-	-
1920x1200/60RB	1920x1200*11	74.0	60.0	154.0	-	-	-	✓	✓	-	-	✓	-	-
2560x1600/50	2560x1600	82.4	50.0	286.0	-	-	-	✓	✓	-	-	-	-	-
2560x1600/60	2560x1600*11	98.7	60.0	268.5	-	-	-	✓	✓	-	-	-	-	-

*1 In addition to the standard SDI input , this supports the input from the optional 3G-SDI Terminal Board with Audio (Model No.:TY-TBN03G) installed in the slot. Optional 3G-SDI Terminal Board with Audio(Model No.:TY-TBN03G) is required to be installed to both of <SLOT1> and <SLOT2> when performing quad link using the input of the optional 3G-SDI (Model No.:TY-TBN03G) installed in the slot. <Projector firmware and board firmware must be updated to Version 2.0 or later (scheduled February 2016) before using the optional 3G-SDI Terminal Board (TY-TBN03G). Contact your sales representative for more information.>

*2 This is supported when the optional interface board for HDMI 2 input (Model No.:ET-MDNHM10) is installed in the slot Quad link is supported only when the optional Interface Board for HDMI 2 input (Model No.:ET-MDNHM10) is installed on both <SLOT1> and <SLOT2>.

*3 This is supported when the optional interface board for DVI-D 2 input (Model No.:ET-MDNDV10) is installed in the slot Quad link is supported only when the optional Interface Board for DVI-D 2 input (Model No.:ET-MDNDV10) is installed on both <SLOT1> and <SLOT2>.

*4 Pixel-Repetition signal (dot clock frequency 27.0 MHz) only

*5 Dual link HD-SDI signal is supported.

*6 Dual link 3G-SDI signal is supported.

*7 The optional SG-SDI Terminal Board with Audio (Model No.:TY-TBN03G)is not supported.

*8 Quad link HD-SDI signal is supported.

*9 Quad link 3G-SDI signal is supported.

*10 YPBPR 4:2:0 format only

*11 VESA CVT-RB (Reduced Blanking)-compliant.

List of plug and play compatible signals

The following table specifies the video signals compatible with plug and play. Signal with ✓ in the plug and play compatible signal column is the signal described in the EDID (extended display identification data) of the projector. For the signal without ✓ in the plug and play compatible signal column, the resolution may not be selected on the computer even if the projector is supporting it.

Signal format	Resolution (Dots)	Scanning freq.			Dot clock freq. (MHz)	Plug and play compatible signal								
		H (KHz)	V (Hz)	DIGITAL LINK		HDMI*1			DVI-D*2					
						EDID1: 4K/60p	EDID2: 4K/30p	EDID3: 2K	EDID1: 4K/60p	EDID2: 4K/30p	EDID3: 2K	EDID1	EDID2	EDID3
480i	712 x 483i	15.7	59.9	13.5	-	-	-	-	-	-	-	-	-	-
576i	702 x 575i	15.6	50.0	13.5	-	-	-	-	-	-	-	-	-	-
480i	720(1440)x 480i*3	15.7	59.9	27.0	-	-	-	-	-	-	-	-	-	-
576i	720(1440)x 576i*3	15.6	50.0	27.0	-	-	-	-	-	-	-	-	-	-
480p	720 x 480	31.5	59.9	27.0	✓	✓	✓	✓	✓	✓	✓	-	-	✓
576p	720 x 576	31.3	50.0	27.0	✓	✓	✓	✓	✓	✓	✓	-	-	✓
720/60p	1280 x 720	45.0	60.0	74.3	✓	✓	✓	✓	✓	✓	✓	-	-	✓
720/50p	1280 x 720	37.5	50.0	74.3	✓	✓	✓	✓	✓	✓	✓	-	-	✓
1080/60i	1920 x 1080i	33.8	60.0	74.3	✓	✓	✓	✓	✓	✓	✓	-	-	✓
1080/50i	1920 x 1080i	28.1	50.0	74.3	✓	✓	✓	✓	✓	✓	✓	-	-	✓
1080/24p	1920 x 1080	27.0	24.0	74.3	✓	✓	✓	✓	✓	✓	✓	-	-	✓
1080/24sF	1920 x 1080i	27.0	48.0	74.3	-	-	-	-	-	-	-	-	-	-
1080/25p	1920 x 1080	28.1	25.0	74.3	✓	✓	✓	✓	✓	✓	✓	-	-	✓
1080/25sF	1920 x 1080	28.1	50.0	74.3	-	-	-	-	-	-	-	-	-	-
1080/30p	1920 x 1080	33.8	30.0	74.3	✓	✓	✓	✓	✓	✓	✓	-	-	✓
1080/30sF	1920 x 1080	33.8	60.0	74.3	-	-	-	-	-	-	-	-	-	-
1080/60p	1920 x 1080	67.5	60.0	148.5	✓	✓	✓	✓	✓	✓	✓	-	-	✓
1080/50p	1920 x 1080	56.3	50.0	148.5	✓	✓	✓	✓	✓	✓	✓	-	-	✓
2K/24p	2048 x 1080	27.0	24.0	74.3	-	-	-	-	-	-	-	-	-	-
2K/24sF	2048 x 1080	27.0	48.0	74.3	-	-	-	-	-	-	-	-	-	-
2K/25p	2048 x 1080	28.1	25.0	74.3	-	-	-	-	-	-	-	-	-	-
2K/25sF	2048 x 1080	28.1	50.0	74.3	-	-	-	-	-	-	-	-	-	-
2K/30p	2048 x 1080	33.8	30.0	74.3	-	-	-	-	-	-	-	-	-	-
2K/30sF	2048 x 1080	33.8	60.0	74.3	-	-	-	-	-	-	-	-	-	-
2K/48p	2048 x 1080	54.0	48.0	148.5	-	-	-	-	-	-	-	-	-	-
2K/60p	2048 x 1080	67.5	60.0	148.5	-	-	-	-	-	-	-	-	-	-
2K/50p	2048 x 1080	56.3	50.0	148.5	-	-	-	-	-	-	-	-	-	-
3840 x 2160/24p	3840 x 2160	54.0	24.0	297.0	✓	✓	-	✓	✓	-	-	-	-	-
3840 x 2160/24sF	3840 x 2160i	54.0	48.0	297.0	-	-	-	-	-	-	-	-	-	-
3840 x 2160/25p	3840 x 2160	56.3	25.0	297.0	✓	✓	-	✓	✓	-	-	-	-	-
3840 x 2160/25sF	3840 x 2160i	56.3	50.0	297.0	-	-	-	-	-	-	-	-	-	-
3840 x 2160/30p	3840 x 2160	67.5	30.0	297.0	✓	✓	-	✓	✓	-	-	-	-	-
3840 x 2160/30sF	3840 x 2160i	67.5	60.0	297.0	-	-	-	-	-	-	-	-	-	-
3840 x 2160/60p	3840 x 2160	135.0	60.0	297.0	✓*4	-	-	✓*4	-	-	-	-	-	-
	3840 x 2160	135.0	60.0	594.0	-	-	-	✓	-	-	-	-	-	-
3840 x 2160/50p	3840 x 2160	112.5	50.0	297.0	✓*4	-	-	✓*4	-	-	-	-	-	-
	3840 x 2160	112.5	50.0	594.0	-	-	-	✓	-	-	-	-	-	-
3840 x 2400/60p	3840 x 2 400	74.0	60.0	616.0	-	-	-	-	-	-	-	-	-	-
3840 x 2400/50p	3840 x 2 400	61.8	49.9	633.0	-	-	-	-	-	-	-	-	-	-
4096 x 2160/24p	4096 x 2160	54.0	24.0	297.0	✓	✓	-	✓	✓	-	-	-	-	-
4096 x 2160/24sF	4096 x 2160i	54.0	48.0	297.0	-	-	-	-	-	-	-	-	-	-
4096 x 2160/25p	4096 x 2160	56.3	25.0	297.0	✓	✓	-	✓	✓	-	-	-	-	-
4096 x 2160/25sF	4096 x 2160i	56.3	50.0	297.0	-	-	-	-	-	-	-	-	-	-
4096 x 2160/30p	4096 x 2160	67.5	30.0	297.0	✓	✓	-	✓	✓	-	-	-	-	-
4096 x 2160/30sF	4096 x 2160i	67.5	60.0	297.0	-	-	-	-	-	-	-	-	-	-
4096 x 2160/60p	4096 x 2160	135.0	60.0	297.0	✓*4	-	-	✓*4	-	-	-	-	-	-
	4096 x 2160	135.0	60.0	594.0	-	-	-	✓	-	-	-	-	-	-
4096 x 2160/50p	4096 x 2160	112.5	50.0	297.0	✓*4	-	-	✓*4	-	-	-	-	-	-
	4096 x 2160	112.5	50.0	594.0	-	-	-	✓	-	-	-	-	-	-

Signal format	Resolution (Dots)	Scanning freq.			Plug and play compatible signal									
		H (KHz)	V (Hz)	Dot clock freq. (MHz)	DIGITAL LINK			HDMI*1			DVI-D*2			
					EDID1: 4K/60p	EDID2: 4K/30p	EDID3: 2K	EDID1: 4K/60p	EDID2: 4K/30p	EDID3: 2K	EDID1	EDID2	EDID3	
640 x 400/70	640 x 400	31.5	70.1	25.2	-	-	-	-	-	-	-	-	-	-
640 x 400/85	640 x 400	37.9	85.1	31.5	-	-	-	-	-	-	-	-	-	-
640 x 480/60	640 x 480	31.5	59.9	25.2	✓	✓	✓	✓	✓	✓	✓	✓	✓	✓
640 x 480/67	640 x 480	35.0	66.7	30.2	-	-	-	-	-	-	-	-	-	-
640 x 480/73	640 x 480	37.9	72.8	31.5	✓	✓	✓	✓	✓	✓	-	✓	✓	✓
640 x 480/75	640 x 480	37.5	75.0	31.5	✓	✓	✓	✓	✓	✓	-	✓	✓	✓
640 x 480/85	640 x 480	43.3	85.0	36.0	-	-	-	-	-	-	-	-	-	-
800 x 600/56	800 x 600	35.2	56.3	36.0	✓	✓	✓	✓	✓	✓	-	✓	✓	✓
800 x 600/60	800 x 600	37.9	60.3	40.0	✓	✓	✓	✓	✓	✓	-	✓	✓	✓
800 x 600/72	800 x 600	48.1	72.2	50.0	✓	✓	✓	✓	✓	✓	-	✓	✓	✓
800 x 600/75	800 x 600	46.9	75.0	49.5	✓	✓	✓	✓	✓	✓	-	✓	✓	✓
800 x 600/85	800 x 600	53.7	85.1	56.3	-	-	-	-	-	-	-	-	-	-
832 x 624/75	832 x 624	49.7	74.6	57.3	✓	✓	✓	✓	✓	✓	-	✓	✓	✓
1024 x 768/50	1024 x 768	39.6	50.0	51.9	-	-	-	-	-	-	-	-	-	-
1024 x 768/60	1024 x 768	48.4	60.0	65.0	✓	✓	✓	✓	✓	✓	-	✓	✓	✓
1024 x 768/70	1024 x 768	56.5	70.1	75.0	✓	✓	✓	✓	✓	✓	-	✓	✓	✓
1024 x 768/75	1024 x 768	60.0	75.0	78.8	✓	✓	✓	✓	✓	✓	-	✓	✓	✓
1024 x 768/82	1024 x 768	65.5	81.6	86.0	-	-	-	-	-	-	-	-	-	-
1024 x 768/85	1024 x 768	68.7	85.0	94.5	-	-	-	-	-	-	-	-	-	-
1024 x 768/100	1024 x 768	81.4	100.0	113.3	-	-	-	-	-	-	-	-	-	-
1024 x 768/120	1024 x 768	98.7	120.0	139.1	✓	✓	✓	✓	✓	✓	-	✓	✓	✓
1152 x 864/60	1152 x 864	53.7	60.0	81.6	-	-	-	-	-	-	-	-	-	-
1152 x 864/70	1152 x 864	64.0	70.0	94.2	-	-	-	-	-	-	-	-	-	-
1152 x 864/75	1152 x 864	67.5	75.0	108.0	-	-	-	-	-	-	-	-	-	-
1152 x 864/85	1152 x 864	77.1	85.0	119.7	-	-	-	-	-	-	-	-	-	-
1152 x 870/75	1152 x 870	68.7	75.1	100.0	✓	✓	✓	✓	✓	✓	-	✓	✓	✓
1280 x 720/50	1280 x 720	37.1	49.8	60.5	-	-	-	-	-	-	-	-	-	-
1280 x 720/60	1280 x 720	44.8	59.9	74.5	-	-	-	-	-	-	-	-	-	-
1280 x 720/100	1280 x 720	76.3	100.0	131.8	-	-	-	-	-	-	-	-	-	-
1280 x 720/120	1280 x 720	92.6	120.0	161.6	-	-	-	-	-	-	-	-	-	-
1280 x 768/50	1280 x 768	39.6	49.9	65.3	-	-	-	-	-	-	-	-	-	-
1280 x 768/60	1280 x 768	47.8	59.9	79.5	-	-	-	-	-	-	-	-	-	-
	1280 x 768*5	47.4	60.0	68.3	-	-	-	-	-	-	-	-	-	-
1280 x 768/75	1280 x 768	60.3	74.9	102.3	-	-	-	-	-	-	-	-	-	-
1280 x 768/85	1280 x 768	68.6	84.8	117.5	-	-	-	-	-	-	-	-	-	-
1280 x 800/50	1280 x 800	41.3	50.0	68.0	-	-	-	-	-	-	-	-	-	-
1280 x 800/60	1280 x 800	49.7	59.8	83.5	-	-	-	-	-	-	-	-	-	-
	1280 x 800*5	49.3	59.9	71.0	-	-	-	-	-	-	-	-	-	-
1280 x 800/75	1280 x 800	62.8	74.9	106.5	-	-	-	-	-	-	-	-	-	-
1280 x 800/85	1280 x 800	71.6	84.9	122.5	-	-	-	-	-	-	-	-	-	-
1280 x 960/60	1280 x 960	60.0	60.0	108.0	-	-	-	-	-	-	-	-	-	-
1280 x 1024/50	1280 x 1024	52.4	50.0	88.0	-	-	-	-	-	-	-	-	-	-
1280 x 1024/60	1280 x 1024	64.0	60.0	108.0	-	-	-	-	-	-	-	-	-	-
1280 x 1024/66	1280 x 1024	72.3	66.3	125.0	-	-	-	-	-	-	-	-	-	-
1280 x 1024/72	1280 x 1024	78.2	72.0	135.1	-	-	-	-	-	-	-	-	-	-
1280 x 1024/75	1280 x 1024	80.0	75.0	135.0	✓	✓	✓	✓	✓	✓	-	✓	✓	✓
1280 x 1024/85	1280 x 1024	91.1	85.0	157.5	-	-	-	-	-	-	-	-	-	-
1366 x 768/50	1366 x 768	39.6	49.9	69.0	-	-	-	-	-	-	-	-	-	-
1366 x 768/60	1366 x 768	47.7	59.8	85.5	-	-	-	-	-	-	-	-	-	-

Signal format	Resolution (Dots)	Scanning freq.			Plug and play compatible signal									
		H (KHz)	V (Hz)	Dot clock freq. (MHz)	DIGITAL LINK			HDMI*1			DVI-D*2			
					EDID1: 4K/60p	EDID2: 4K/30p	EDID3: 2K	EDID1: 4K/60p	EDID2: 4K/30p	EDID3: 2K	EDID1	EDID2	EDID3	
1400 x 1050/50	1400 x 1050	54.1	50.0	99.9	-	-	-	-	-	-	-	-	-	-
	1400 x 1050	64.0	60.0	108.0	-	-	-	-	-	-	-	-	-	-
1400 x 1050/60	1400 x 1050	65.3	60.0	121.8	-	-	-	-	-	-	-	-	-	-
	1400 x 1050	65.2	60.0	122.6	✓	✓	✓	✓	✓	✓	-	✓	✓	✓
1400 x 1050/72	1400 x 1050	78.8	72.0	149.3	-	-	-	-	-	-	-	-	-	-
1400 x 1050/75	1400 x 1050	82.2	75.0	155.9	-	-	-	-	-	-	-	-	-	-
1440 x 900/50	1440 x 900	46.3	49.9	86.8	-	-	-	-	-	-	-	-	-	-
1440 x 900/60	1440 x 900	55.9	59.9	106.5	-	-	-	-	-	-	-	-	-	-
1600 x 900/50	1600 x 900	46.4	49.9	96.5	-	-	-	-	-	-	-	-	-	-
1600 x 900/60	1600 x 900	55.9	60.0	119.0	✓	✓	✓	✓	✓	✓	-	✓	✓	✓
1600 x 1200/50	1600 x 1200	61.8	49.9	131.5	-	-	-	-	-	-	-	-	-	-
1600 x 1200/60	1600 x 1200	75.0	60.0	162.0	✓	✓	✓	✓	✓	✓	-	✓	✓	✓
1680 x 1050/50	1680 x 1050	54.1	50.0	119.5	-	-	-	-	-	-	-	-	-	-
1680 x 1050/60	1680 x 1050	65.3	60.0	146.3	-	-	-	-	-	-	-	-	-	-
1920 x 1080/50	1920 x 1080	55.6	49.9	141.5	-	-	-	-	-	-	-	-	-	-
1920 x 1080/60	1920 x 1080*5	66.6	59.9	138.5	-	-	-	-	-	-	-	-	-	-
	1920 x 1080	67.2	60.0	173.0	-	-	-	-	-	-	-	-	-	-
1920 x 1200/50	1920 x 1200	61.8	49.9	158.3	-	-	-	-	-	-	-	-	-	-
1920 x 1200/60	1920 x 1200	74.6	59.9	193.3	-	-	-	-	-	-	-	-	-	-
1920 x 1200/60RB	1920 x 1200*5	74.0	60.0	154.0	✓	✓	✓	✓	✓	✓	-	✓	✓	✓
2560 x 1600/50	2560 x 1600	82.4	50.0	286.0	-	-	-	-	-	-	-	-	-	-
2560 x 1600/60	2560 x 1600*5	98.7	60.0	268.5	✓	✓	-	✓	✓	-	-	-	-	-

*1 This is supported when the optional Interface Board for HDMI 2 input (Model No.: ET-MDNHM10) is installed in the slot.
 *2 This is supported when the optional Interface Board for DVI-D 2 input (Model No.: ET-MDNDV10) is installed in the slot.
 *3 Pixel-Repetition signal (dot clock frequency 27.0 MHz) only
 *4 YPBPR 4:2:0 format only
 *5 VESA CVT-RB (Reduced Blanking)-compliant

List of simultaneous input compatible signals

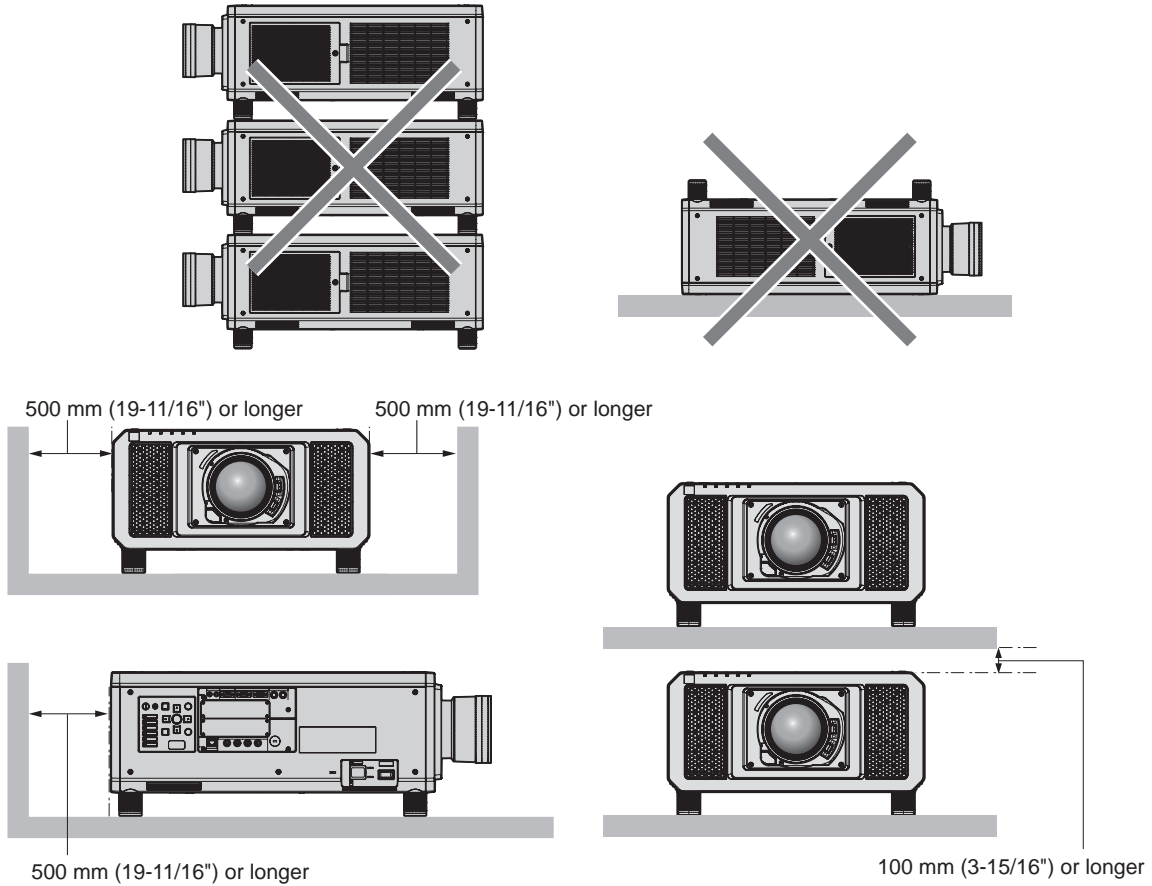
The following table specifies the simultaneous input compatible video signals that the projector can project.

Signal format	Resolution (Dots)	Scanning freq.			Simultaneous input compatible signal					
		H (KHz)	V (Hz)	Dot clock freq. (MHz)	SDI*1		HDMI*2		DVI-D*3	
					Double speed	Quadruple speed	Double speed	Quadruple speed	Double speed	Quadruple speed
1080/60p	1920 x 1080	67.5	60.0	148.5	✓	✓	✓	✓	✓	✓
1080/50p	1920 x 1080	56.3	50.0	148.5	✓	✓	✓	✓	✓	✓
1366 x 768/50	1366 x 768	39.6	49.9	69.0	-	-	✓	-	✓	-
1366 x 768/60	1366 x 768	47.7	59.8	85.5	-	-	✓	-	✓	-
1400 x 1050/50	1400 x 1050	54.1	50.0	99.9	-	-	✓	-	✓	-
1400 x 1050/60	1400 x 1050	65.3	60.0	121.8	-	-	✓	-	✓	-
1920 x 1080/50	1920 x 1080	55.6	49.9	141.5	-	-	✓	-	✓	-
1920 x 1080/60	1920 x 1080*4	66.6	59.9	138.5	-	-	✓	-	✓	-
1920 x 1200/50	1920 x 1200	61.8	49.9	158.3	-	-	✓	-	✓	-
1920 x 1200/60RB	1920 x 1200*4	74.0	60.0	154.0	-	-	✓	-	✓	-

*1 In addition to the standard SDI input, this supports the input from the optional 3G-SDI Terminal Board with Audio (Model No.: TY-TBN03G) installed in the slot.
 *2 This is supported when the optional Interface Board for HDMI 2 input (Model No.: ET-MDNHM10) is installed in the slot.
 *3 This is supported when the optional Interface Board for DVI-D 2 input (Model No.: ET-MDNDV10) is installed in the slot.
 *4 VESA CVT-RB (Reduced Blanking)-compliant

Notes on projector placement and operation

- Prevent hot and cool air from the air conditioning system to blow directly to the ventilation ports (intake and exhaust) of the projector.



- Do not install the projector in a confined space. When installing the projector in a confined space, provide air conditioning or ventilation separately. Exhaust heat may accumulate when the ventilation is not enough, triggering the protection circuit of the projector.